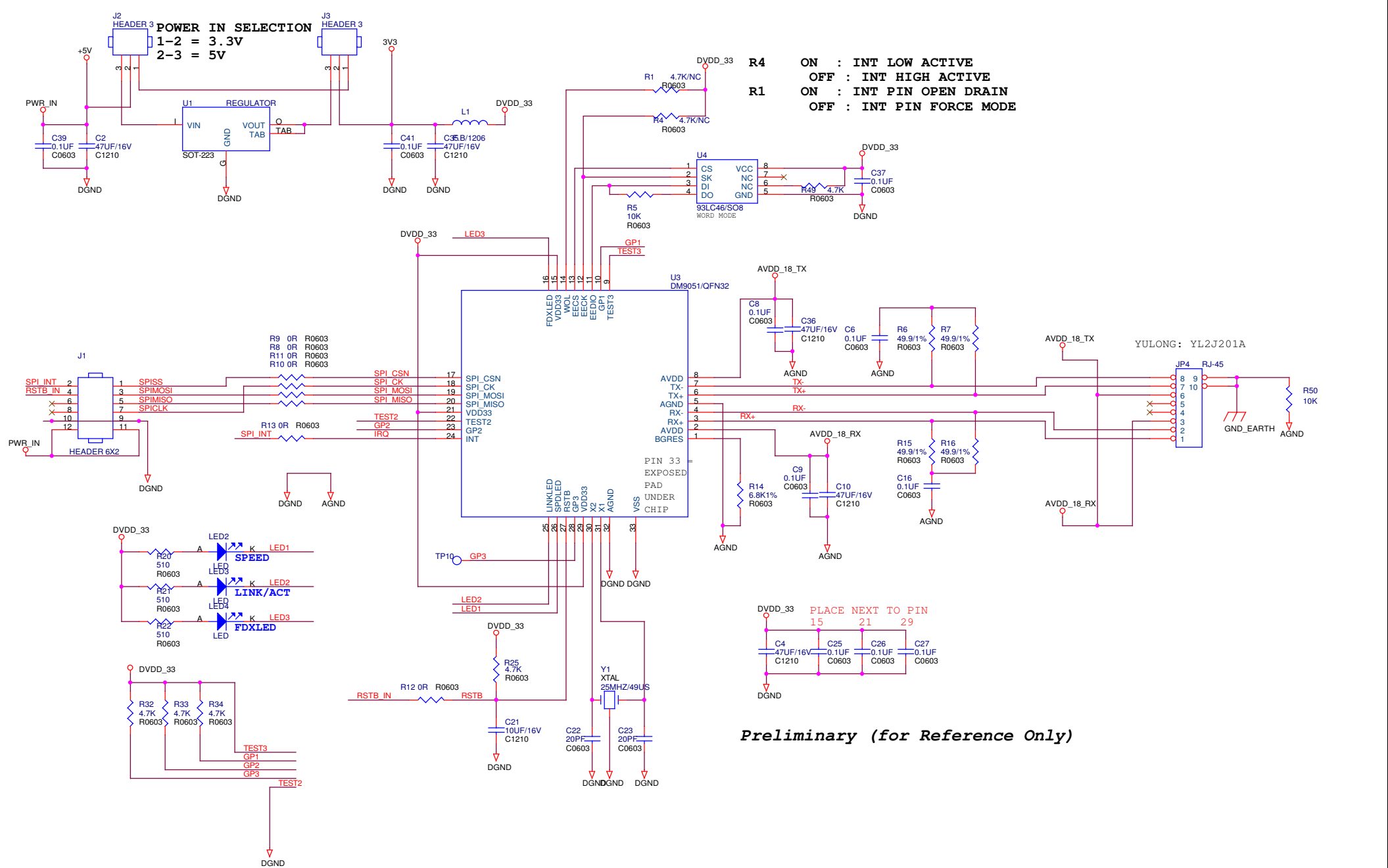


32QFN DM9051 DEMO BOARD V2.1

P/N: D4L-9051-NN-21-1

<b>Davicom Semiconductor Inc.</b>		
Title DM9051 Demo Board (PCB_Overview)		
Size A4	Document Number 01TOP	Rev 2.1
Date: Tuesday, August 05, 2014	Sheet 1	of 3



*Preliminary (for Reference Only)*

Davicom Semiconductor Inc.		
Title	DM9051 Demo Board	
Size	Document Number	Rev
A3	DM9051_OFN32	2.1
Date:	Tuesday, August 05, 2014	Sheet 2 of 3

VER	DATE	ENGINEER	NOTE
2.0	06/20/2014	Willie Niou	INITAL CIRCUIT CREATION
2.1	08/05/2014	Willie Niou	Modify J1 pin assignment to show correct connection Pin 1 = SPISS Pin 3 = SPIMOSI Pin 5 = SPIMISO Pin 7 = SPICLK Pin 2 = SPI_INT Pin 4 = RSTB_IN Pin 9, 10 = GND Pin 11, 12 = PWR

<b>Davicom Semiconductor Inc.</b>		
Title		DM9051 Demo Board
Size A4	Document Number HISTORY	Rev 2.1
Date:	Tuesday, August 05, 2014	Sheet 3 of 3