

AC 110V -->
DC 3.3V/5A
Power Module

Page 7
Port 25/26
IP101(Fiber)
or
Web management
TF320
RS232
Page 8

PCB 2/3

Page 6
LED Module
(Series Mode)

PCB 1

Page 2

EEPROM
24C02/8

EEDAT
EECLK

CPU_DAT
CPU_GLK

MII 1

MII 2

IP1726

24 SS-SMII + 2 MII 10/100M
Switch Controller
128 Pin QFP

3.3V->1.8V

25MHz
Crystal

Initial Pin setting

Extend Interface

SS-SMII

SS-SMII

SS-SMII

Page 3

IP108

Octal PHY

PHY Add.
8~15

3.3V->1.8V

Quad port pulse
transformers

Quad port pulse
transformers

Port 1 ~ 8 RJ45

Page 4

IP108

Octal PHY

PHY Add.
15~23

3.3V->1.8V

Quad port pulse
transformers

Quad port pulse
transformers

Port 9 ~ 16 RJ45

Page 5

IP108

Octal PHY

PHY Add.
24~31

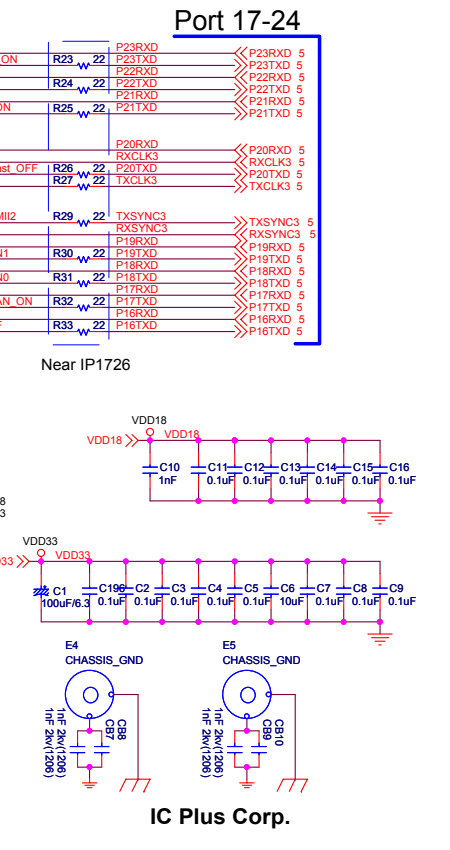
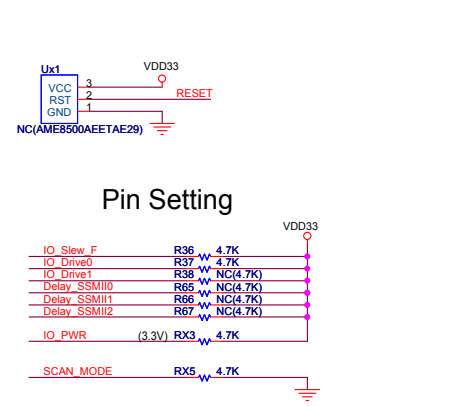
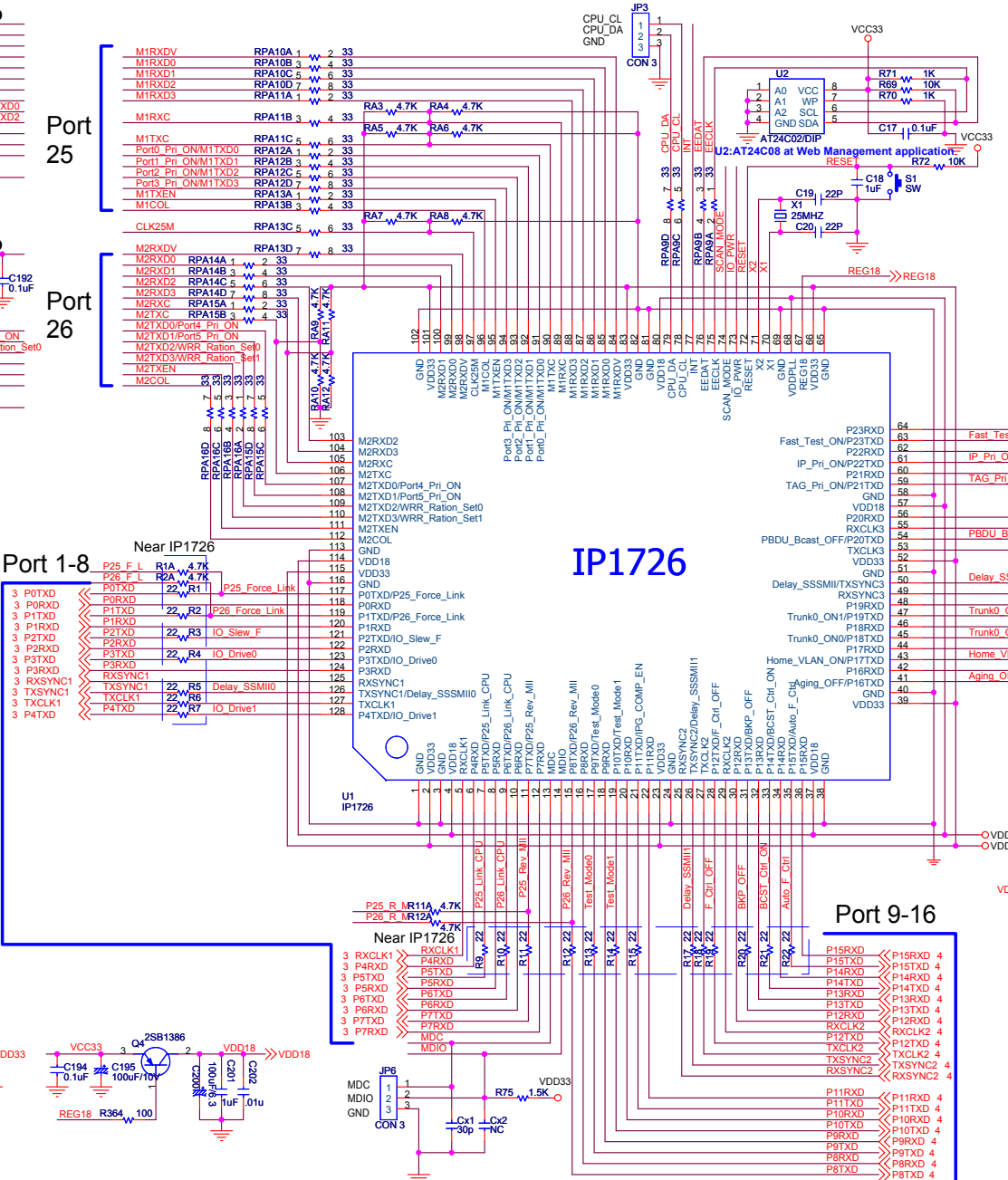
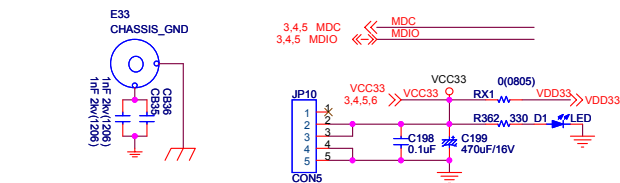
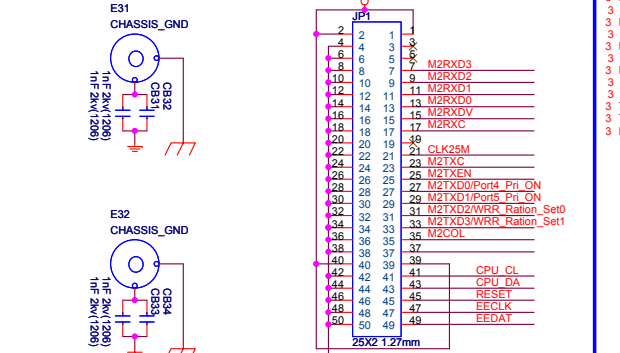
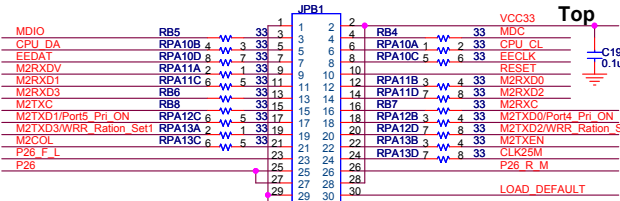
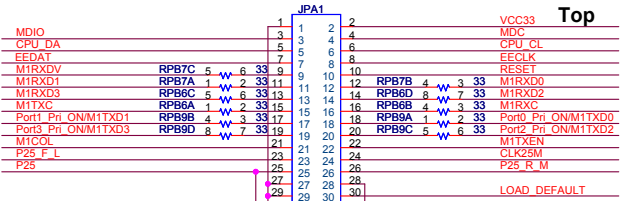
3.3V->1.8V

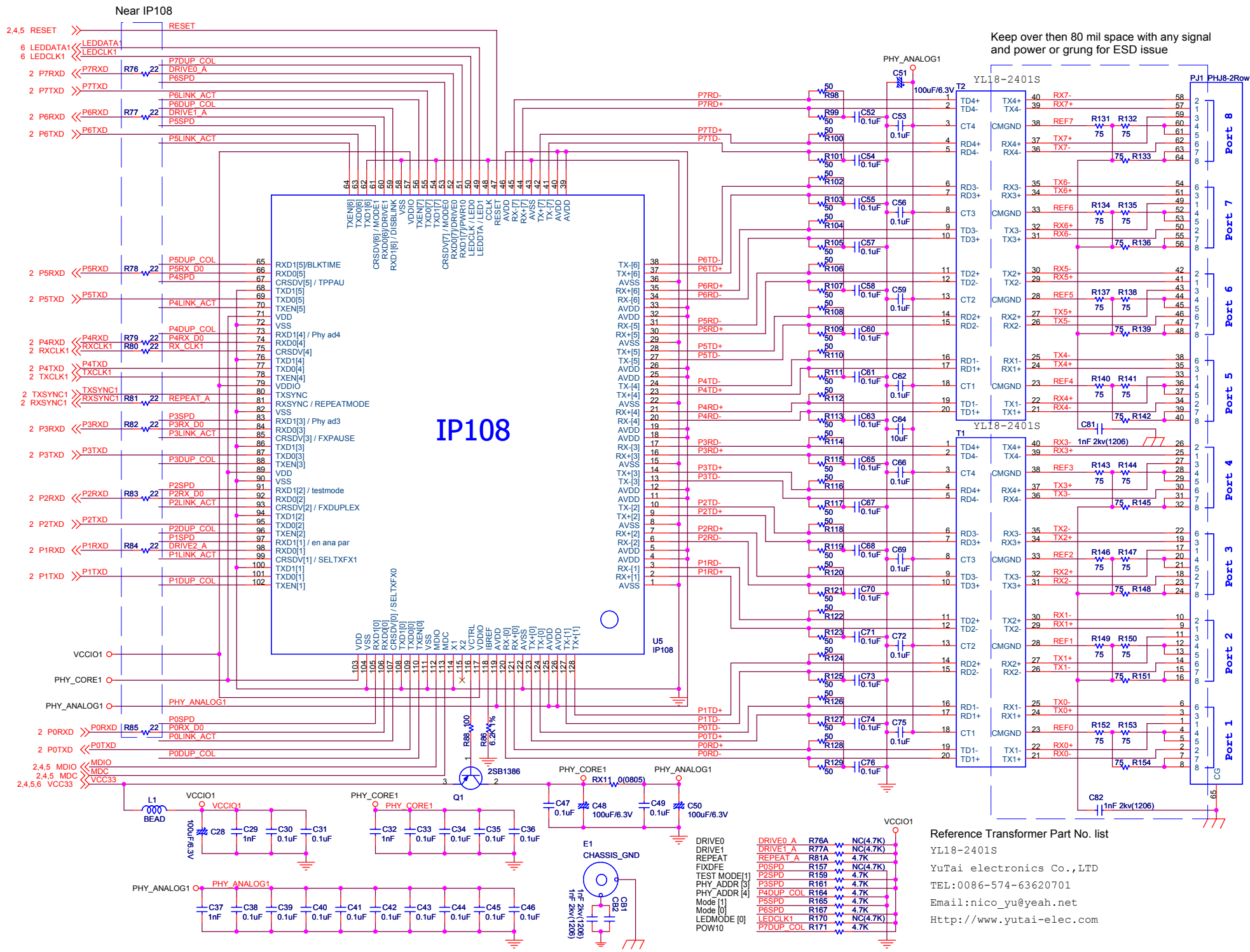
Quad port pulse
transformers

Quad port pulse
transformers

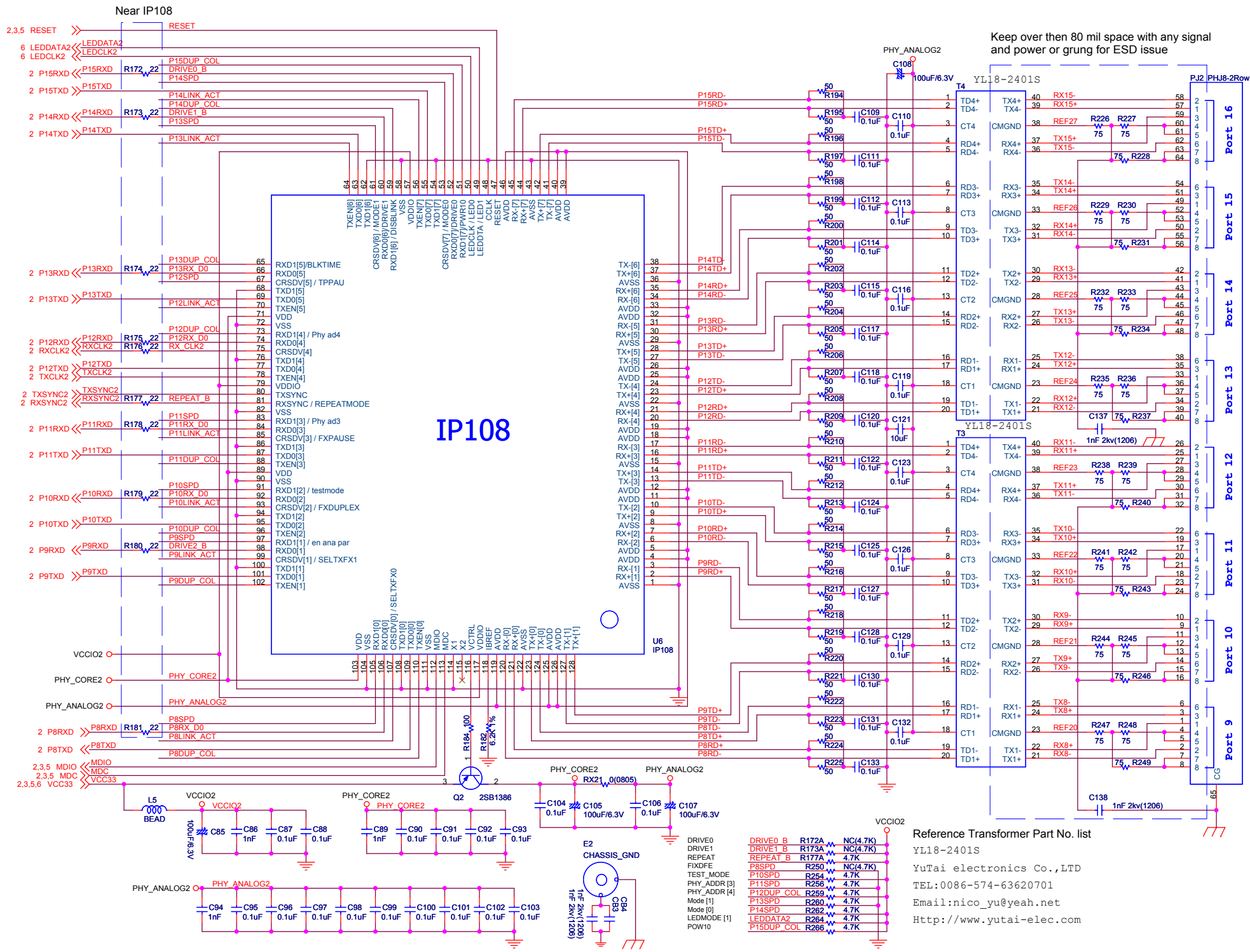
Port 17 ~ 24 RJ45

IC Plus Corp.





Reference Transformer Part No. list
 YL18-2401S
 YuTai electronics Co.,LTD
 TEL:0086-574-63620701
 Email:nico_yu@yeah.net
 Http://www.yutai-elec.com



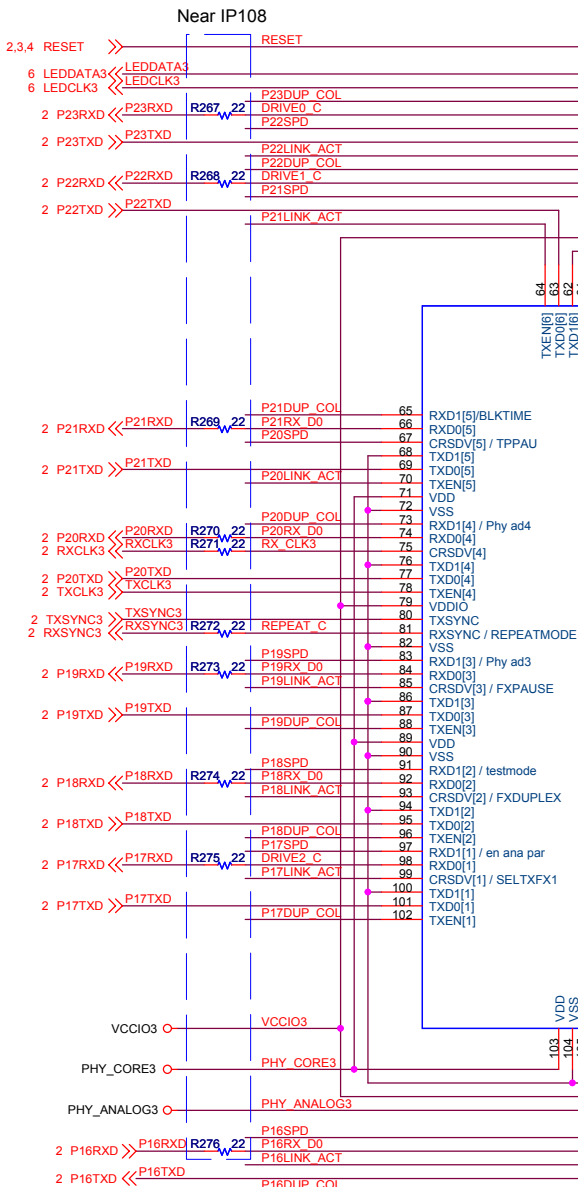
Keep over then 80 mil space with any signal and power or grung for ESD issue

IP108

Reference Transformer Part No. list

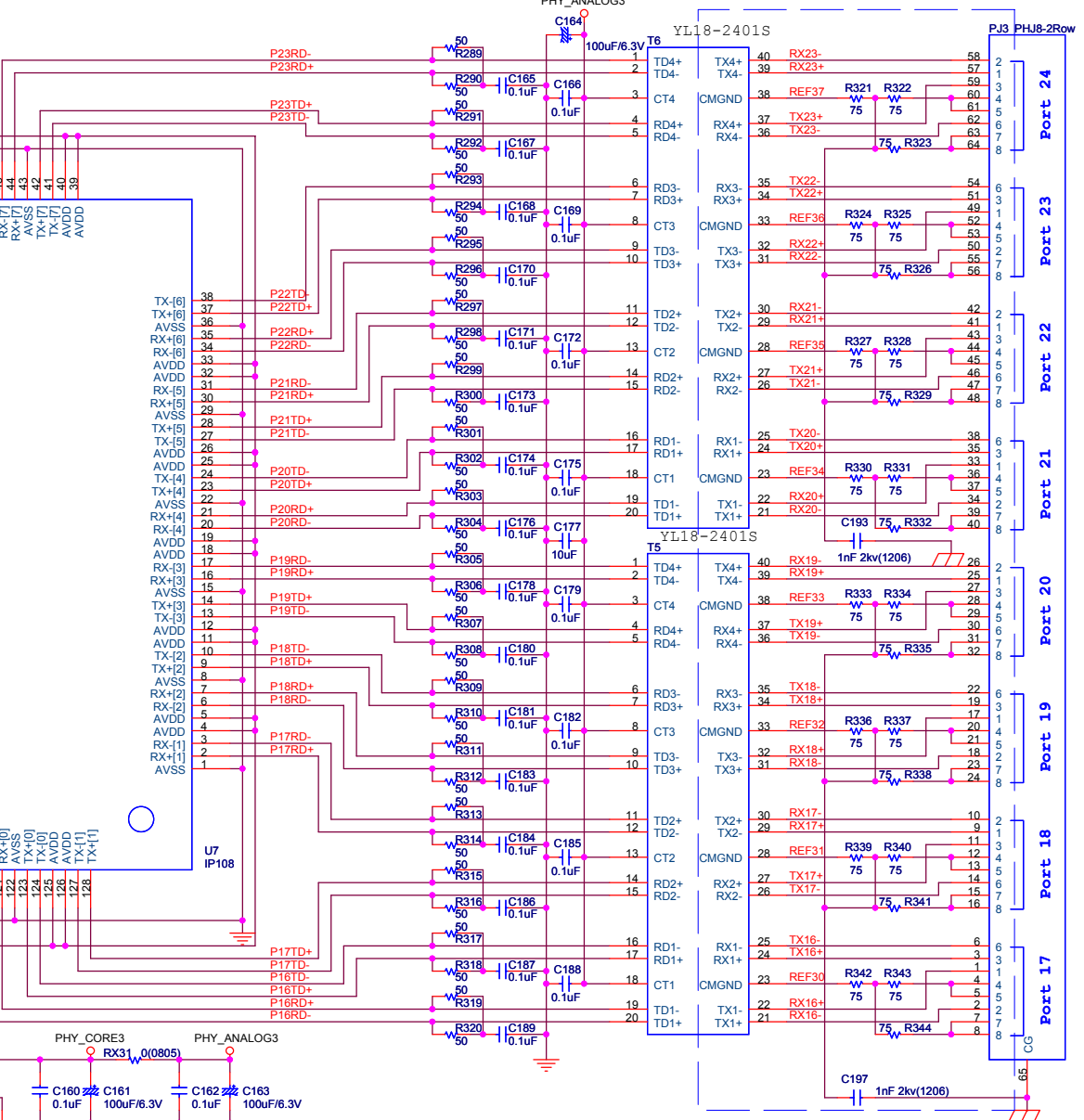
- YL18-2401S
- YuTai electronics Co.,LTD
- TEL:0086-574-63620701
- Email:nico_yu@yeah.net
- Http://www.yutai-elec.com

| | | |
|-------------|-------|----------|
| DRIVE0 | R172A | NC(4.7K) |
| DRIVE1 | R173A | NC(4.7K) |
| REPEAT | R177A | 4.7K |
| TEST_MODE | R250 | NC(4.7K) |
| PHY_ADDR[3] | R254 | 4.7K |
| PHY_ADDR[4] | R256 | 4.7K |
| Mode[1] | R259 | 4.7K |
| Mode[0] | R260 | 4.7K |
| LEDMODE[1] | R262 | 4.7K |
| POW10 | R264 | 4.7K |
| | R266 | 4.7K |



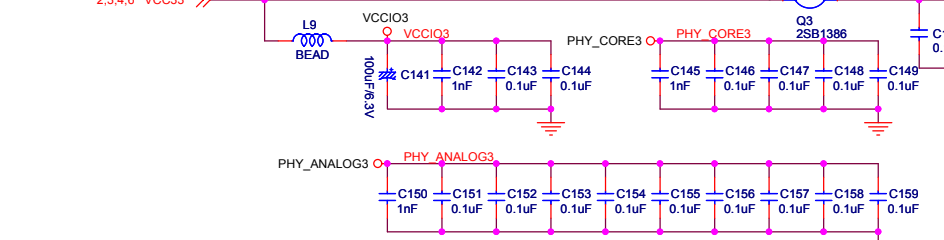
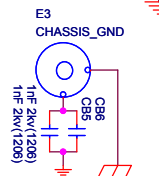
IP108

Keep over then 80 mil space with any signal and power or grung for ESD issue

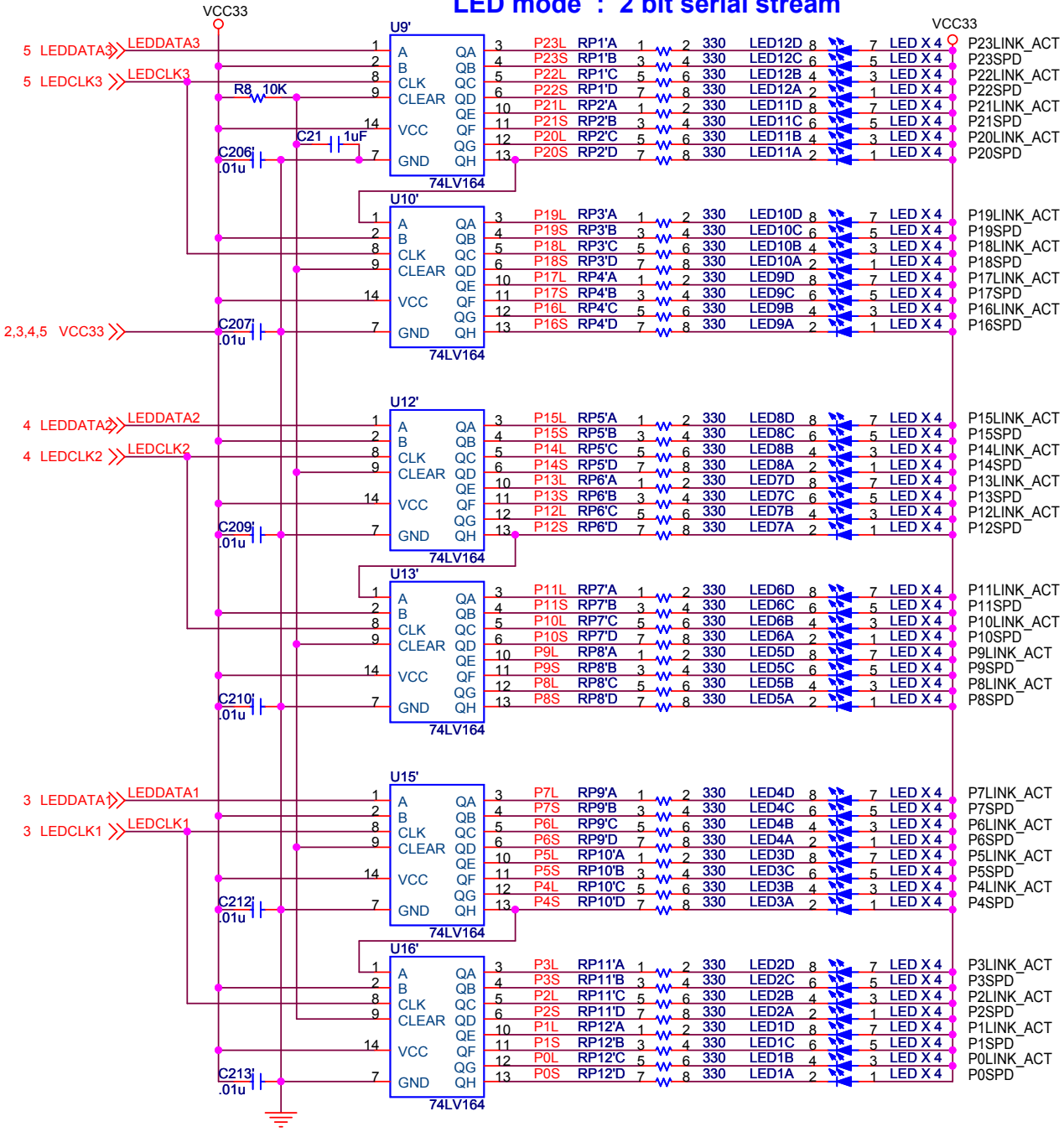


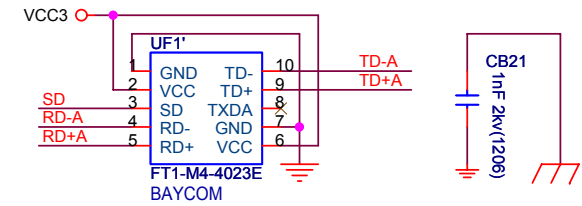
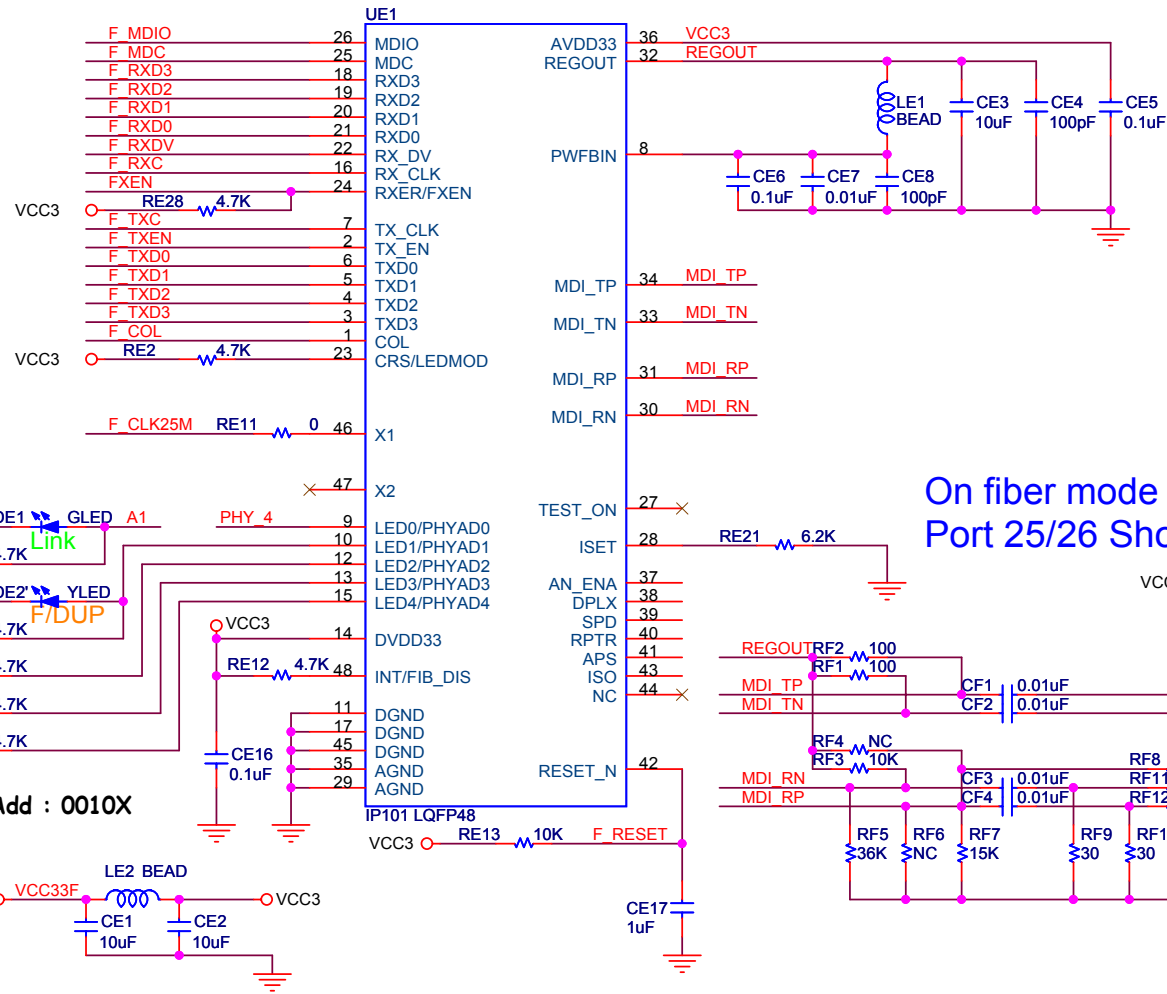
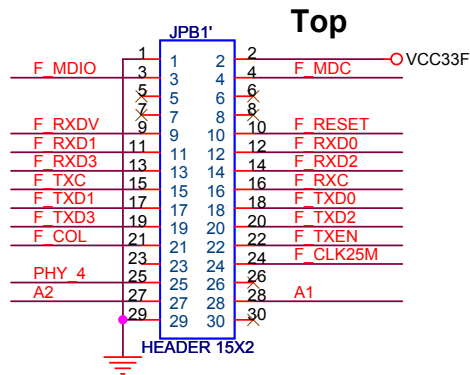
- Reference Transformer Part No. list
- YL18-2401S
 - YuTai electronics Co.,LTD
 - TEL:0086-574-63620701
 - Email:nico_yu@yeah.net
 - Http://www.yutai-elec.com

- DRIVE0 C R267A 4.7K
- DRIVE1 C R268A 4.7K
- REPEAT C R272A 4.7K
- PHY_ADDR [3] R344 4.7K
- PHY_ADDR [4] R352 4.7K
- Mode [1] R355 4.7K
- Mode [0] R357 4.7K
- LEDMODE [0] R365 4.7K
- POW10 R361 4.7K

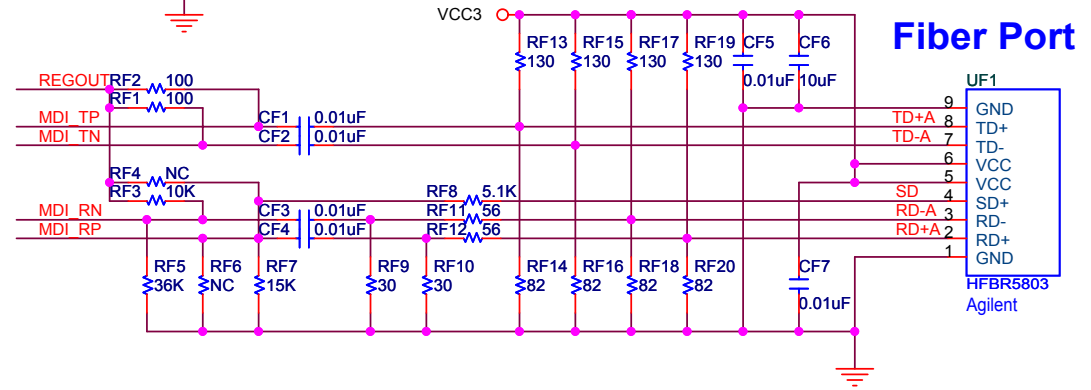


LED mode : 2 bit serial stream



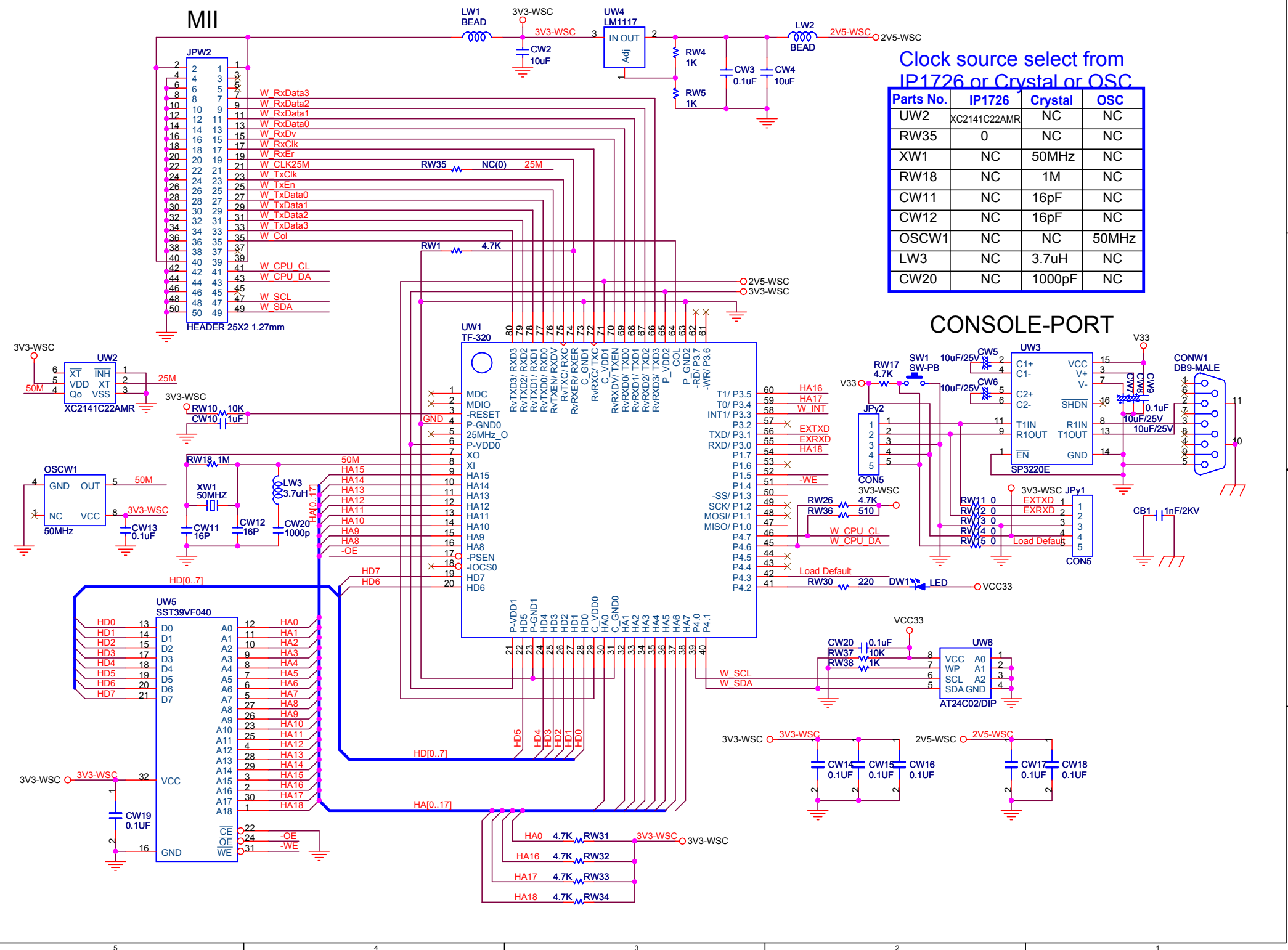


On fiber mode the EEPROM value of IP1726 Port 25/26 Should be set force mode



PHY Add : 0010X

MII



Clock source select from IP1726 or Crystal or OSC

| Parts No. | IP1726 | Crystal | OSC |
|-----------|--------------|---------|-------|
| UW2 | XC2141C22AMR | NC | NC |
| RW35 | 0 | NC | NC |
| XW1 | NC | 50MHz | NC |
| RW18 | NC | 1M | NC |
| CW11 | NC | 16pF | NC |
| CW12 | NC | 16pF | NC |
| OSCW1 | NC | NC | 50MHz |
| LW3 | NC | 3.7uH | NC |
| CW20 | NC | 1000pF | NC |

CONSOLE-PORT

