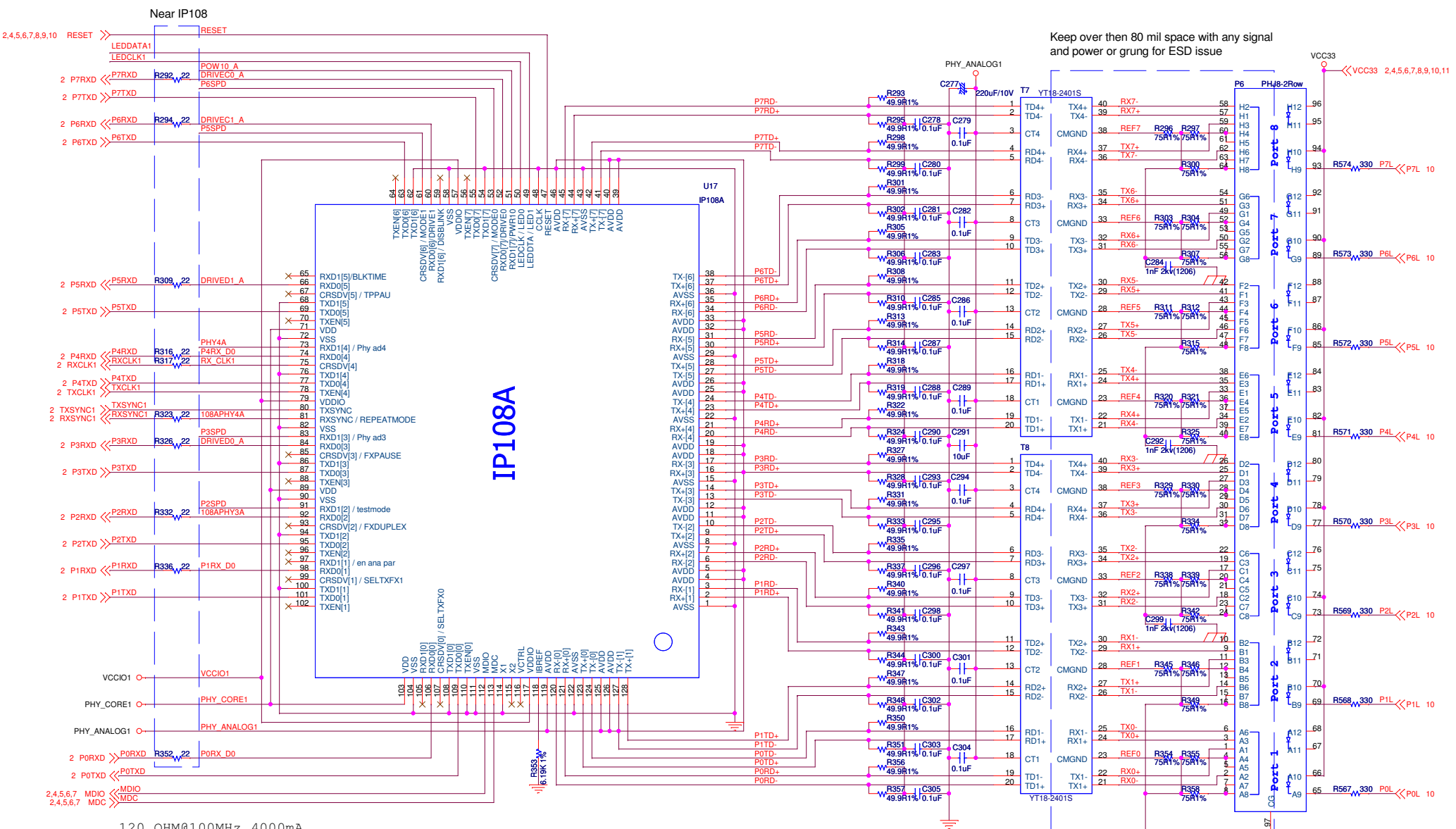
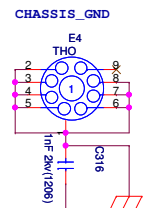
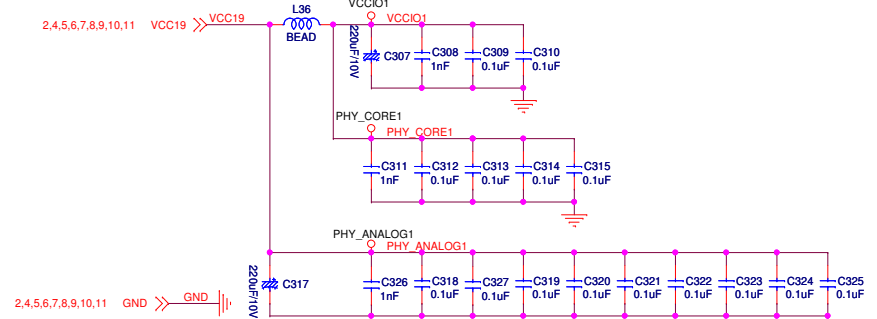


IP1826D



Keep over then 80 mil space with any signal and power or grung for ESD issue

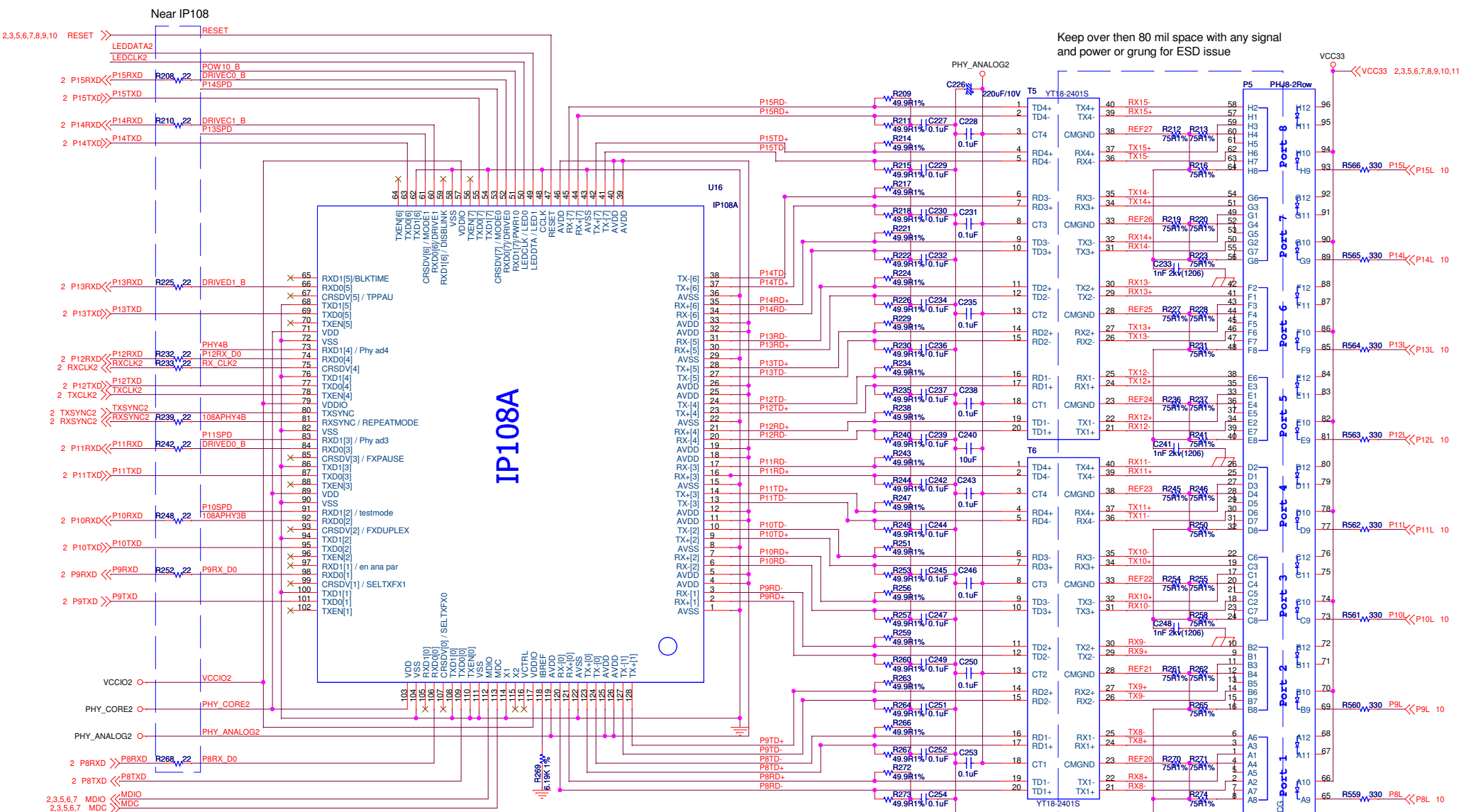
120 OHM@100MHz 4000mA



PHY Address 8~15 01

ULOWPASS	P1RX_D0	R359	4.7K	NC
108APHYADDR[3]	108APHY3A	R360	4.7K	NC
108ADRIVED0	DRIVED0_A	R361	4.7K	NC
108ADRIVED1	DRIVED1_A	R362	4.7K	NC
DRIVE1	DRIVE1_A	R363	4.7K	NC
REPEAT	DRIVECT_A	R364	4.7K	NC
SLEW RATE	108APHY4A	R365	4.7K	NC
TEST_MODE	PORX_D0	R366	4.7K	NC
PHYADDR3	P2SPD	R367	4.7K	NC
PHYADDR4	P3SPD	R368	4.7K	NC
MODE[1]	PHY4A	R369	4.7K	NC
MODE[0]	P5SPD	R370	4.7K	NC
LEDMODE[1]	P6SPD	R372	4.7K	NC
LEDMODE[0]	LEDDATA1	R371	4.7K	NC
POW10	LEDCLK1	R373	4.7K	NC
108APHYADDR[4]	POW10_A	R374	4.7K	NC
SELIP108A	PHY4A	R375	4.7K	NC
	P4RX_D0	R376	4.7K	NC

IC Plus Corp.		
IP1826D Demo Board-PHY1		
Title	Document Number	Rev
Size	IP1826D C2V01	1.0
Date:	Friday, March 01, 2013	Sheet 3 of 11



IP108A

Keep over then 80 mil space with any signal and power or grung for ESD issue

PHY Address 16~23 10

- ULOWPASS
- 108APHYADDR[4] / REPEAT
- 108ADRIVED0
- 108ADRIVED1
- DRIVED0
- DRIVED1
- SLEW RATE
- TEST_MODE
- PHYADDR3
- PHYADDR4
- MODE[1]
- MODE[0]
- LEDMODE[1]
- LEDMODE[0]
- POW10_B
- 108APHY3B
- SELIP108A

- P8RX_D0 R275 4.7K NC
- 108APHY4B R276 4.7K
- DRIVED0_B R277 4.7K NC
- DRIVED1_B R278 4.7K NC
- DRIVED0 R279 4.7K NC
- DRIVED1 R280 4.7K
- P8RX_D0 R281 4.7K NC
- P10SPD R282 4.7K
- P11SPD R283 4.7K
- PHY4B R284 4.7K
- P13SPD R285 4.7K NC
- P14SPD R286 4.7K NC
- LEDDATA2 R287 4.7K NC
- LEDCLK2 R288 4.7K
- POW10_B R289 4.7K
- 108APHY3B R290 4.7K
- P12RX_D0 R291 4.7K NC

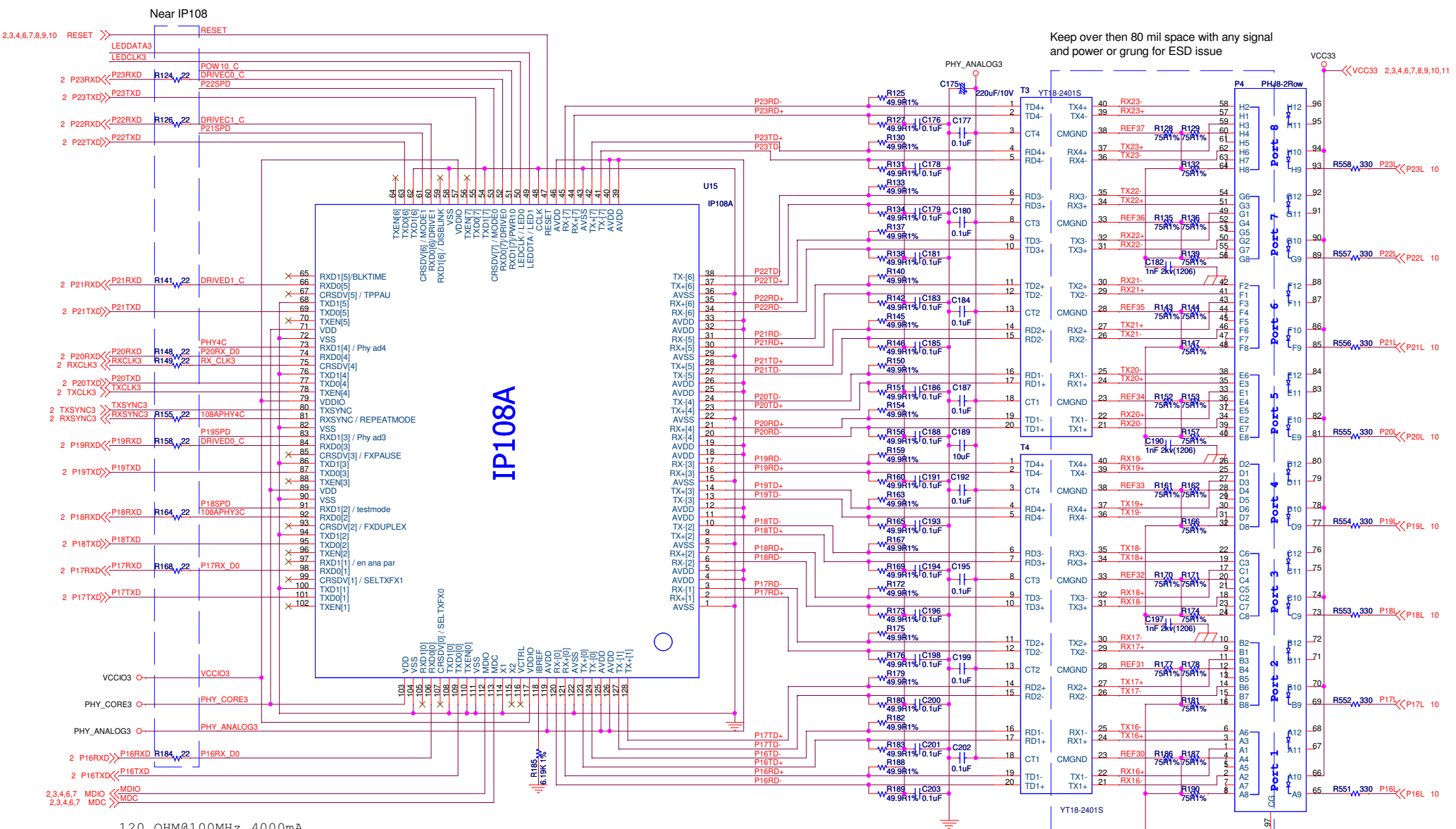
IC Plus Corp.

Title: IP1826D Demo Board-PHY2

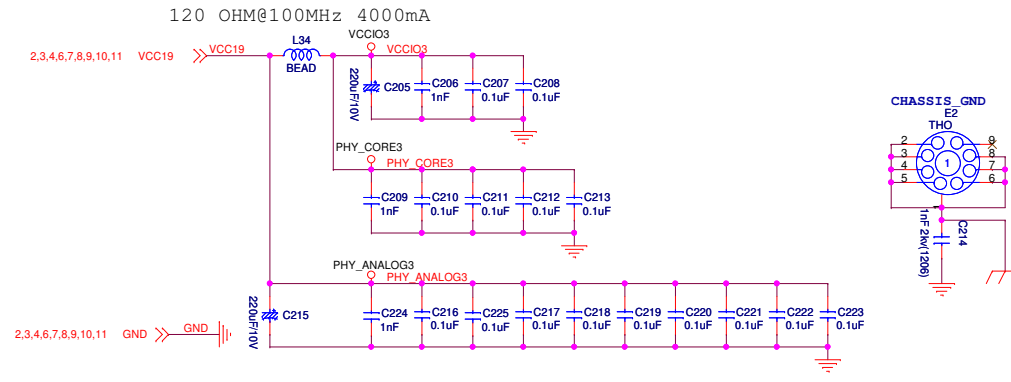
Size: Document Number IP1826D C2V01

Date: Friday, March 01, 2013

Sheet: 4 of 11



Keep over then 80 mil space with any signal and power or grung for ESD issue

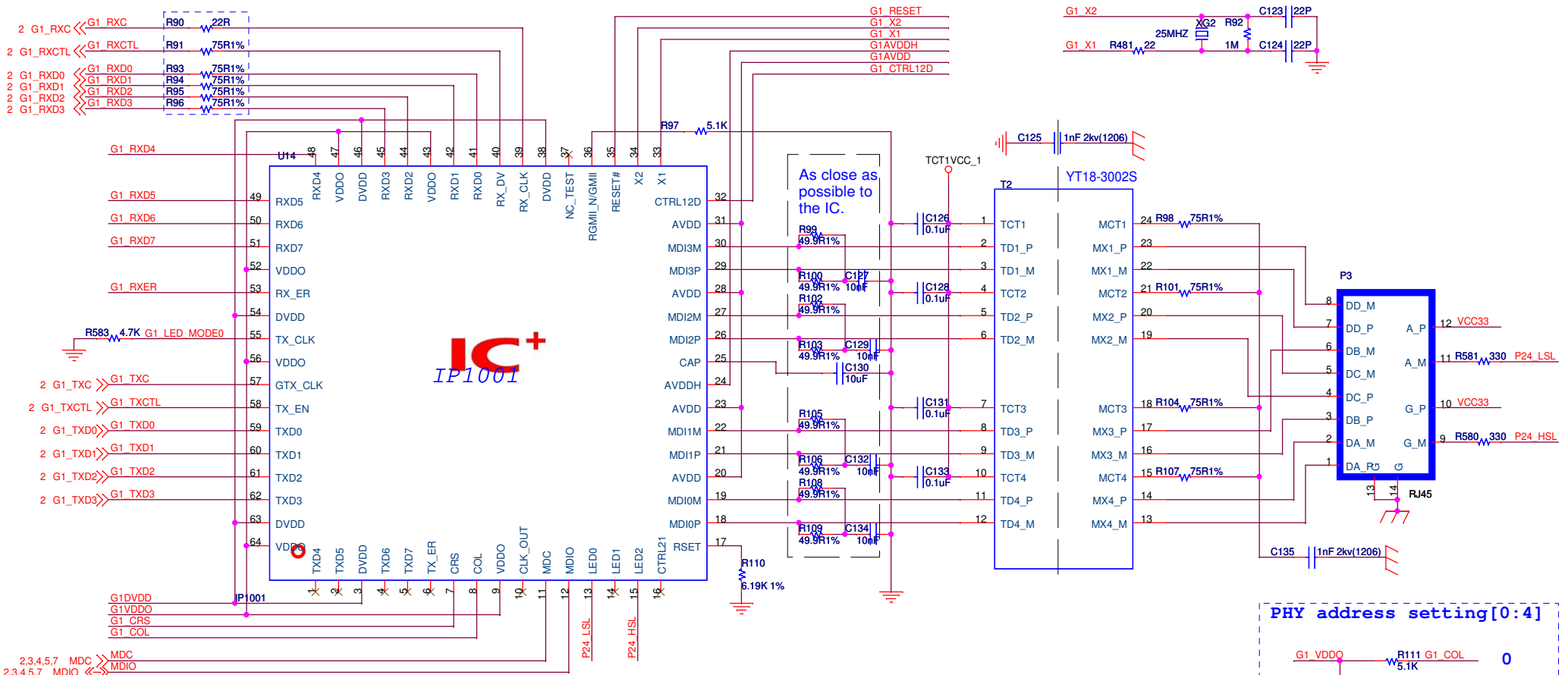


PHY Address 24~31 11

ULOWPASS	P17RX_D0	R191	4.7K	NC
108APHYADDR[4]/REPEAT	108APHY4C	R192	4.7K	
108ADRIVED0	DRIVED0_C	R193	4.7K	NC
108ADRIVED1	DRIVED1_C	R194	4.7K	NC
DRIVE0	DRIVE0_C	R195	4.7K	NC
DRIVE1	DRIVE1_C	R196	4.7K	
SLEW RATE	P16RX_D0	R197	4.7K	NC
TEST_MODE	P18SPD	R198	4.7K	
PHYADDR3	P18SPD	R199	4.7K	
PHYADDR4	PHY4C	R200	4.7K	
MODE[1]	P21SPD	R201	4.7K	NC
MODE[0]	P22SPD	R202	4.7K	NC
LEDMODE[1]	LEDDATA3	R203	4.7K	NC
LEDMODE[0]	LEDDCLK3	R204	4.7K	
POW10_C	POW10_C	R205	4.7K	
108APHYADDR[3]	108APHY3C	R206	4.7K	
SELIP108A	P20RX_D0	R207	4.7K	NC

Title			IC Plus Corp.
Size			IP1826D Demo Board-PHY3
Document Number	IP1826D C2V01	Rev	1.0
Date:	Friday, March 01, 2013	Sheet	5 of 11

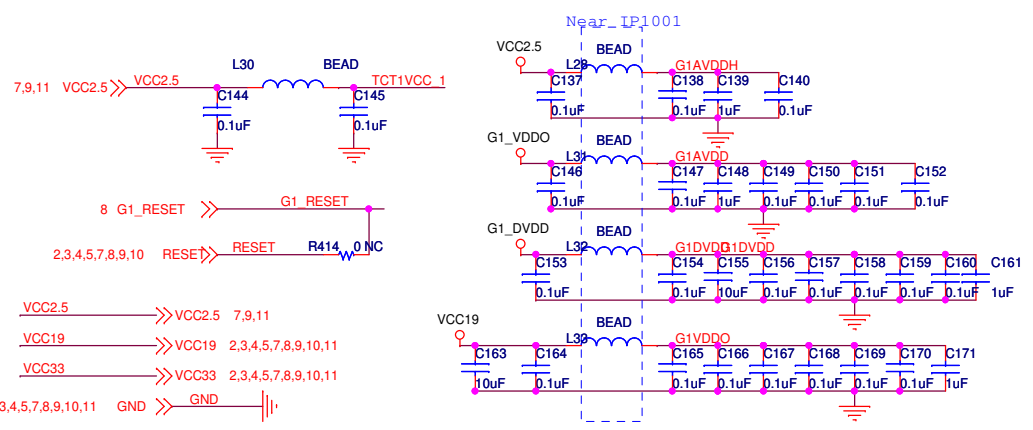
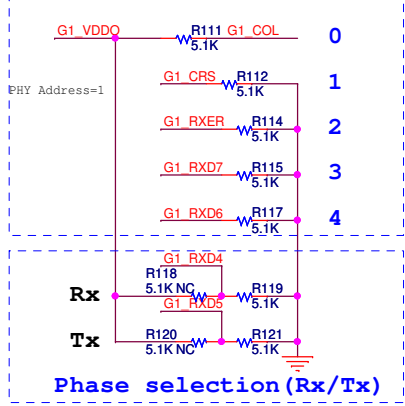
Near IP1001



IC+
IP1001

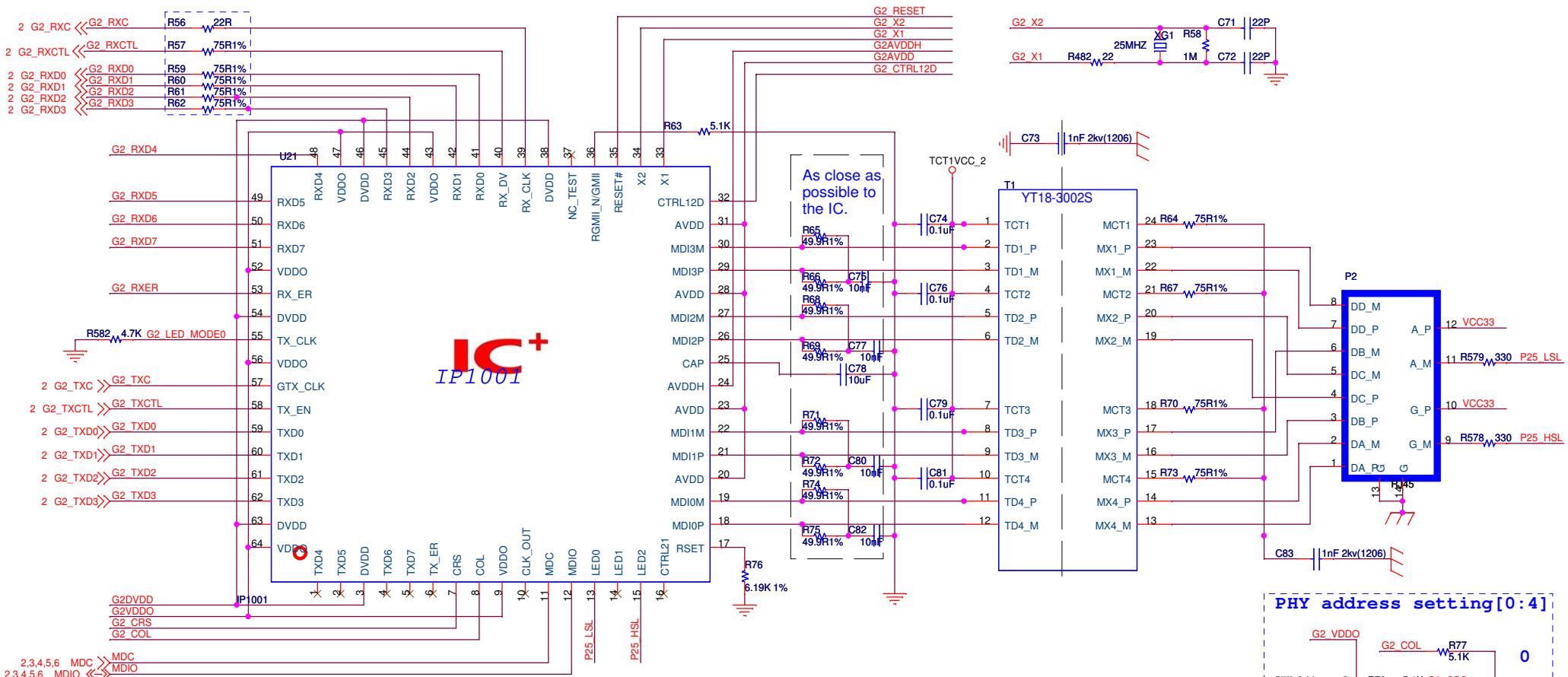
As close as possible to the IC.

PHY address setting[0:4]

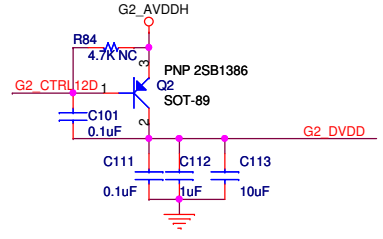
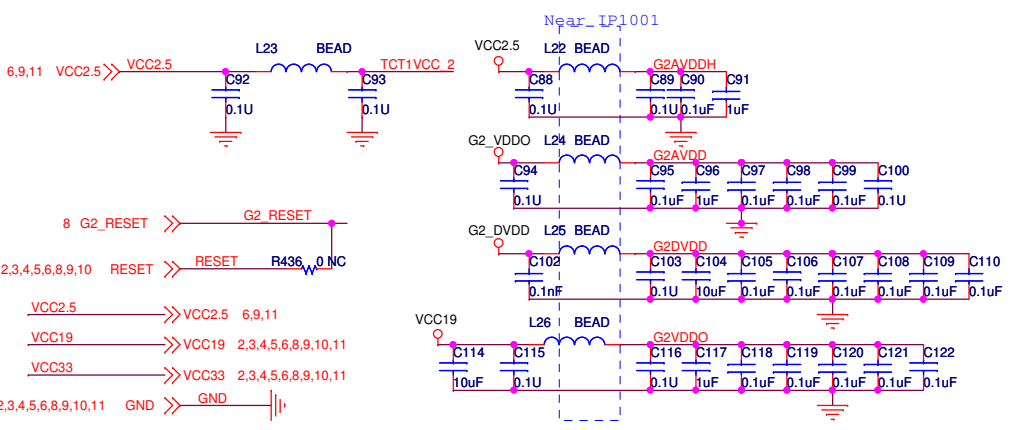
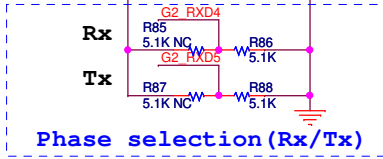
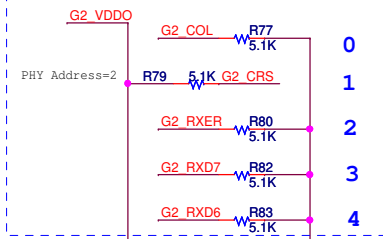


IC Plus Corp.			
IP1826D Demo Board-Giga PHY1			
Title	Document Number		Rev
Size	Custom	IP1826D C2V01	0.1
Date:	Friday, March 01, 2013	Sheet	6 of 11

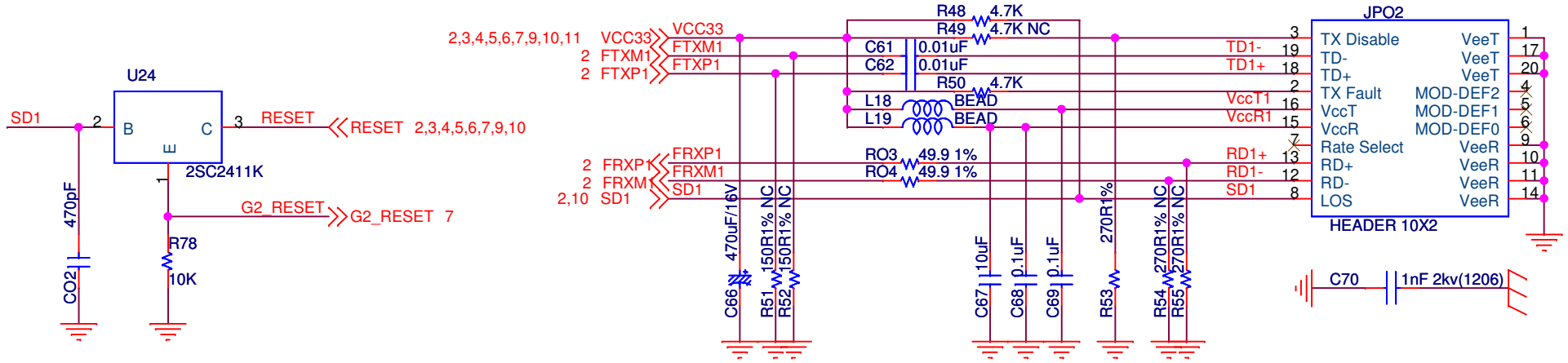
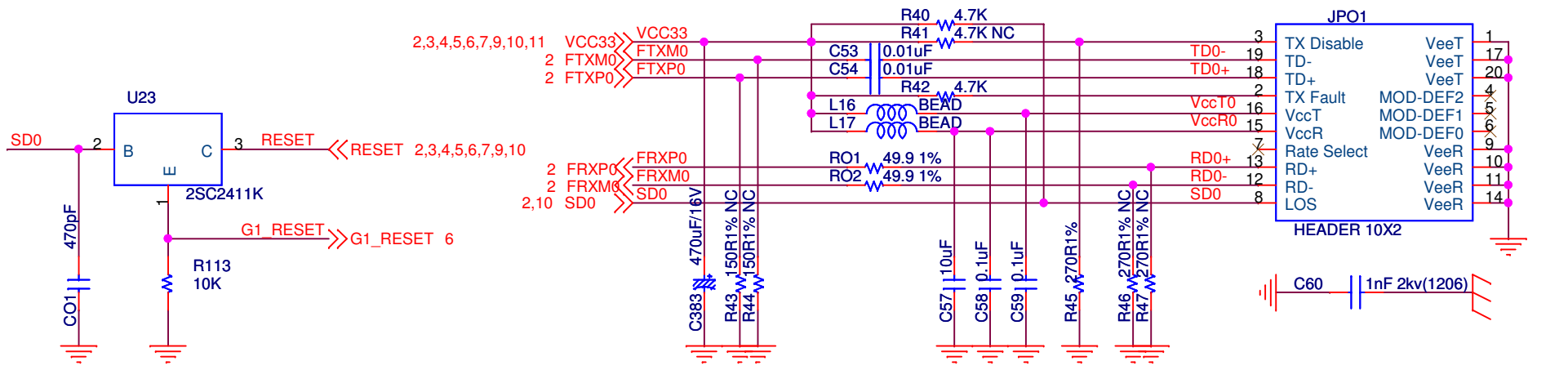
Near IP1001



PHY address setting[0:4]



IC Plus Corp.			
IP1826D Demo Board-Giga PHY2			
Title	Document Number		Rev
	IP1826D C2V01		1.0
Size	Custom		
Date:	Friday, March 01, 2013	Sheet	7 of 11



VCC33 → VCC33 2,3,4,5,6,7,9,10,11

2,3,4,5,6,7,9,10,11 GND → GND

IC Plus Corp.		
Title		
IP1826D Demo Board-Serdes		
Size	Document Number	Rev
A	IP1826D C2V01	1.0
Date:	Friday, March 01, 2013	Sheet 8 of 11

- 2 WTXCLK >> WTXCLK
- 2 WTXEN >> WTXEN
- 2 WTXD0 >> WTXD0
- 2 WTXD1 >> WTXD1
- 2 WTXD2 >> WTXD2
- 2 WTXD3 >> WTXD3

- 10 L/D_LED >> L/D_LED
- 2 WRXD3 >> WRXD3
- 2 WRXD2 >> WRXD2
- 2 WRXD1 >> WRXD1
- 2 WRXD0 >> WRXD0
- 2 WRXDV >> WRXDV
- 2 WRXCLK >> WRXCLK

- 2 CPU_CL >> CPU_CL
- 2 CPU_DA >> CPU_DA

- 2 ECLK >> ECLK
- 2 EEDAT >> EEDAT

- 2 OSC_Sel >> OSC_Sel

- 2,3,4,5,6,7,8,10 RESET >> RESET

VCC19 >> VCC19 2,3,4,5,6,7,8,10,11

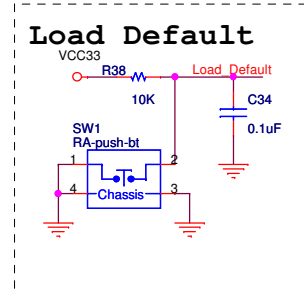
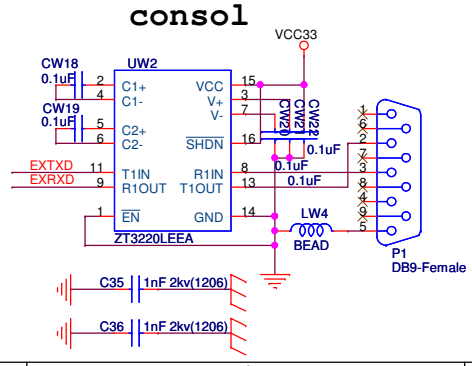
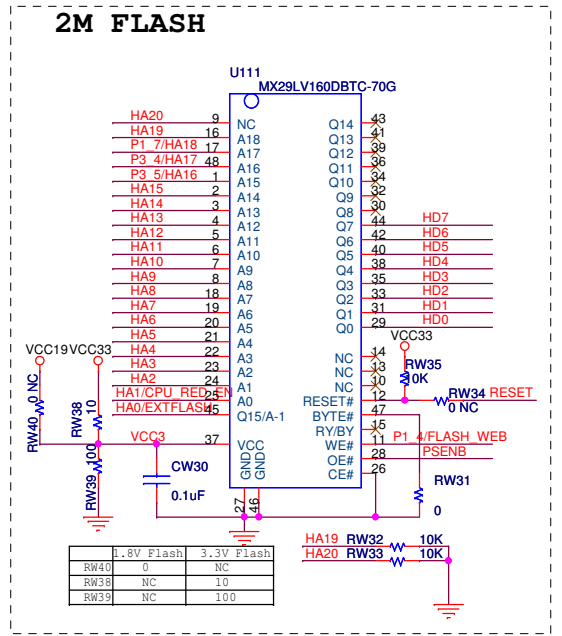
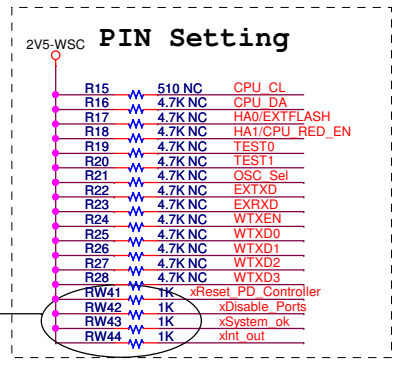
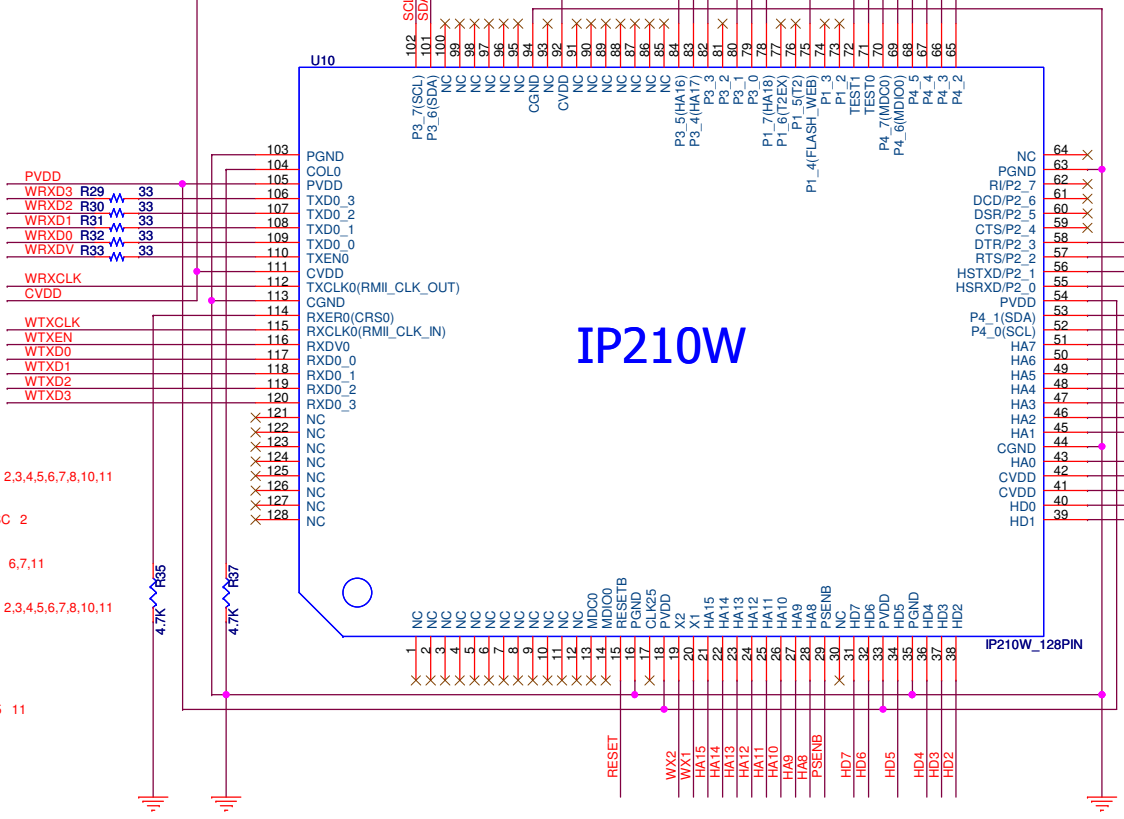
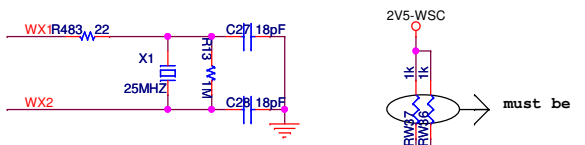
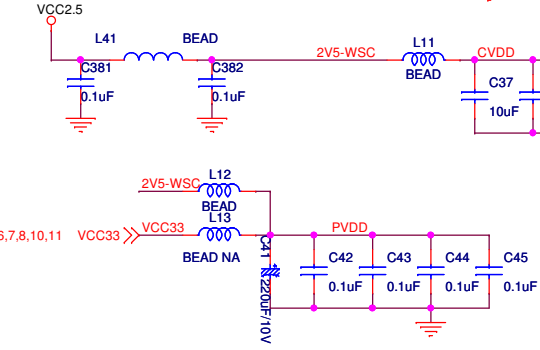
2V5-WSC >> 2V5-WSC 2

VCC2_5 >> VCC2_5 6,7,11

VCC33 >> VCC33 2,3,4,5,6,7,8,10,11

2,3,4,5,6,7,8,10,11 GND >> GND

VCC5 >> VCC5 11



PD69100_GPIO Configuration

pin	Function signal	pin	Function signal
102	P3_7	34	SDA
101	P3_6	33	SCL
58	P2_0	4	xReset
57	P2_2	29	xDisable_Ports
56	P2_1	32	xSystem_ok
55	P2_3	21	xInt_out

IC Plus Corp.

Title: IP1826D Demo Board-Web Server

Size: B Document Number: IP1826D C2V01 Rev: 1.0

Date: Friday, March 01, 2013 Sheet: 9 of 11

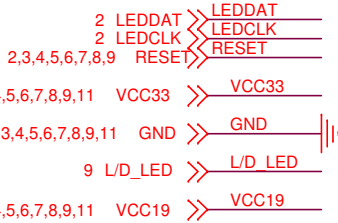
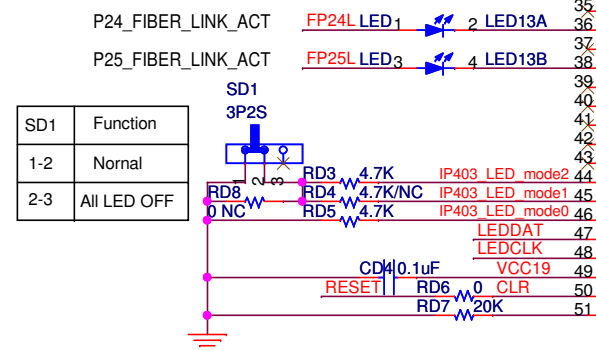
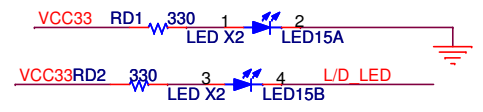
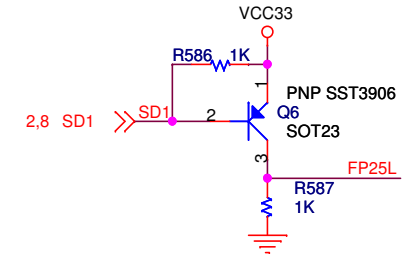
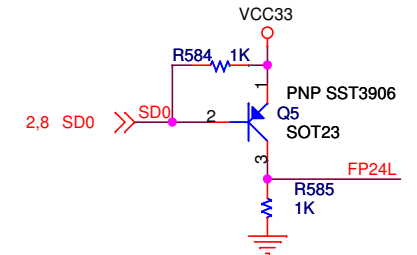
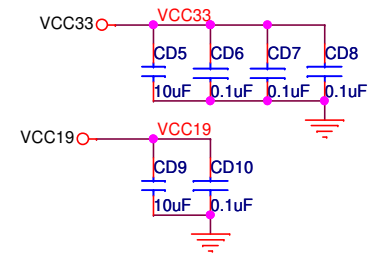
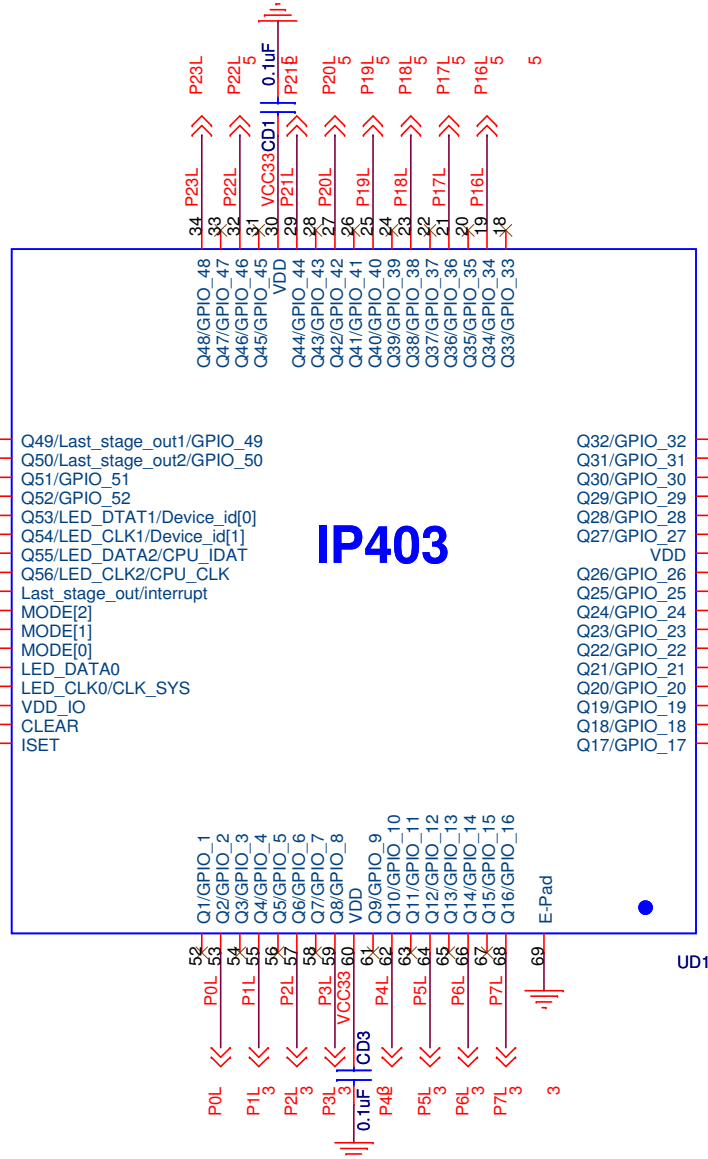
LED Link off mode

LED Link off function	SD1	RD8
Enable	UP	NC
Disable	NC	UP

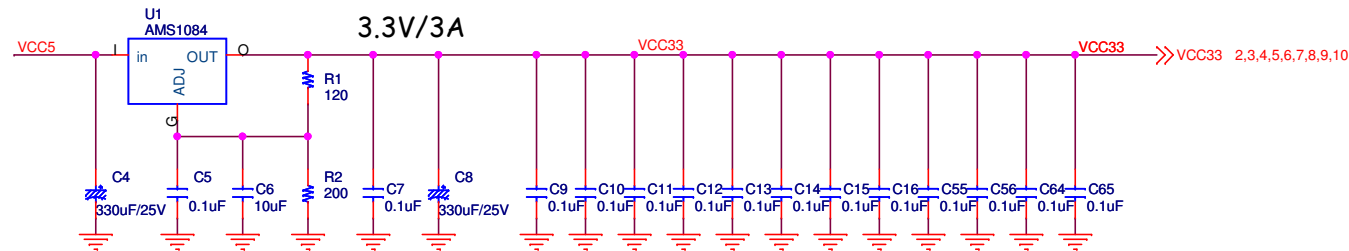
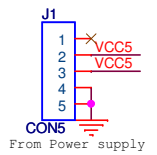
LED mode selection

mdoe 0 (pin46)	mdoe 1 (pin45)	mdoe 2 (pin44)	
0	1	0	LED_56_SL
0	1	1	LED_56_off

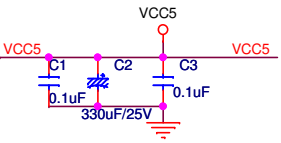
LED mode : 2 bit serial stream



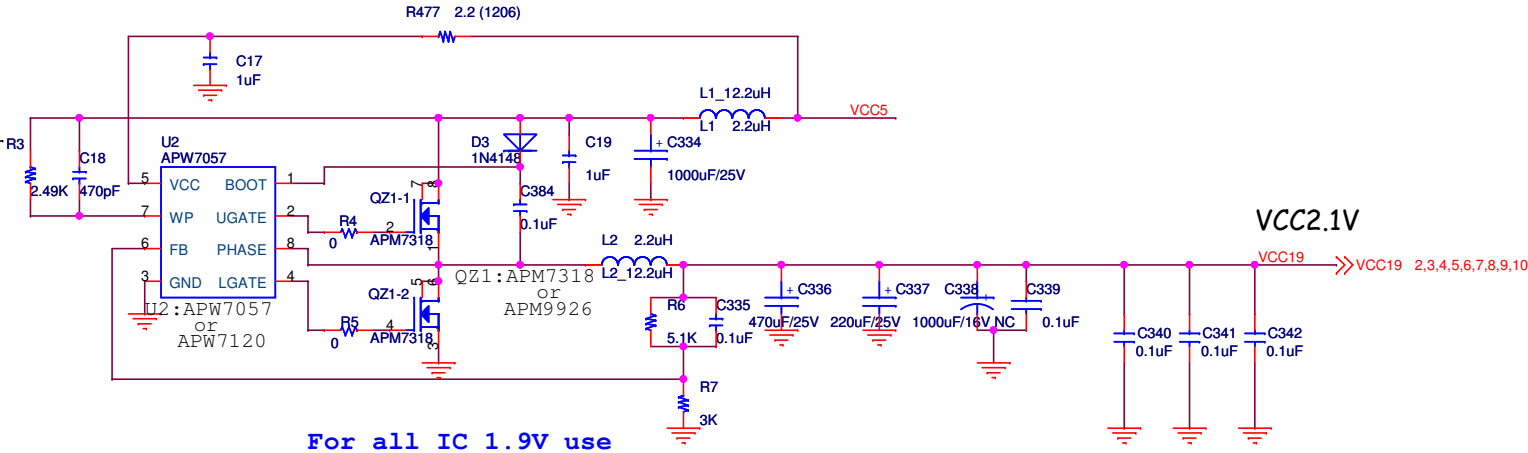
IC Plus Corp.		
Title IP1826D Demo Board-LED		
Size Custom	Document Number IP1826D C2V01	Rev 1.0
Date: Friday, March 01, 2013	Sheet 10	of 11



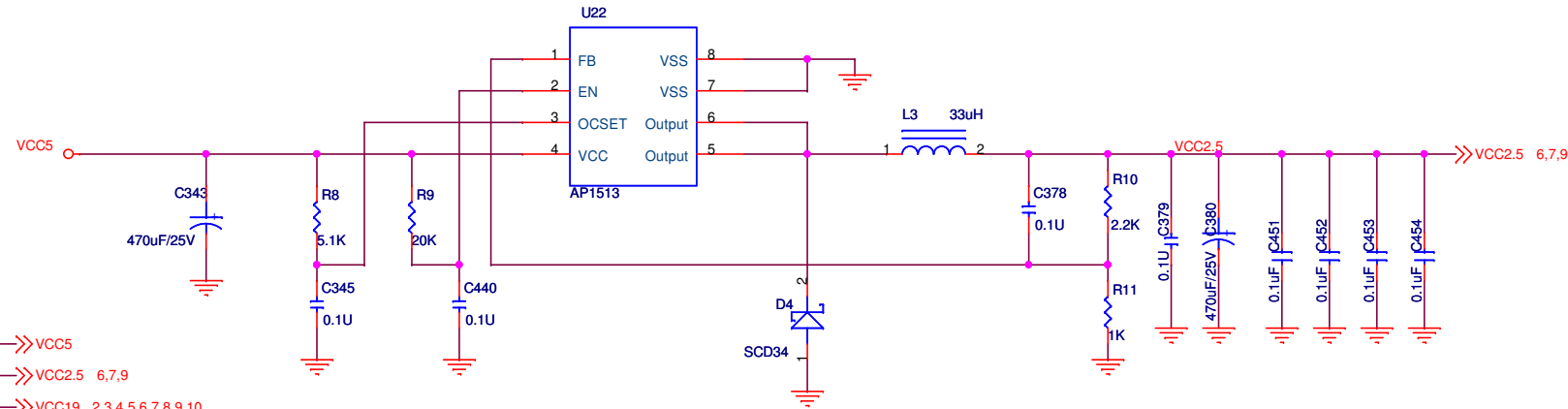
For System & LED use



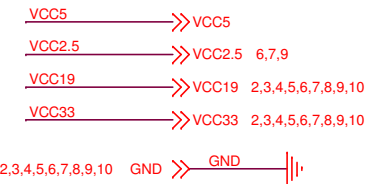
R3 Select	Value
APW7057+APM7318	2.49K
APW7057+APM9926	4.02K
APW7120+APM7318	14K
APW7120+APM9926	12.4K



For all IC 1.9V use



For all IP1001 use



IC Plus Corp.		
Title IP1826D Demo Board-Power		
Size Custom	Document Number IP1826D C2V01	Rev 1.0
Date: Friday, March 01, 2013	Sheet 11	of 11