

Page 2

Power &  
LED Circuits

EEPROM  
24C02B

Initial PIN setting

SCL  
SDA

**IP175G**

5Port 10/100M With PHY  
Switch Controller  
QFN 48 (6mm x 6mm)

25MHz  
Crystal

MDI/MDIX

Regulator  
(LDO)

Port 1 ~ 5 RJ45

AC 110V -->  
DC 5V/0.6A

**IC<sup>+</sup>** IC plus corp.

Title

**IP175G Demo Board\_Block Diagram**

Size

Document Number

IP175G\_D2V

Rev

1.0

Date:

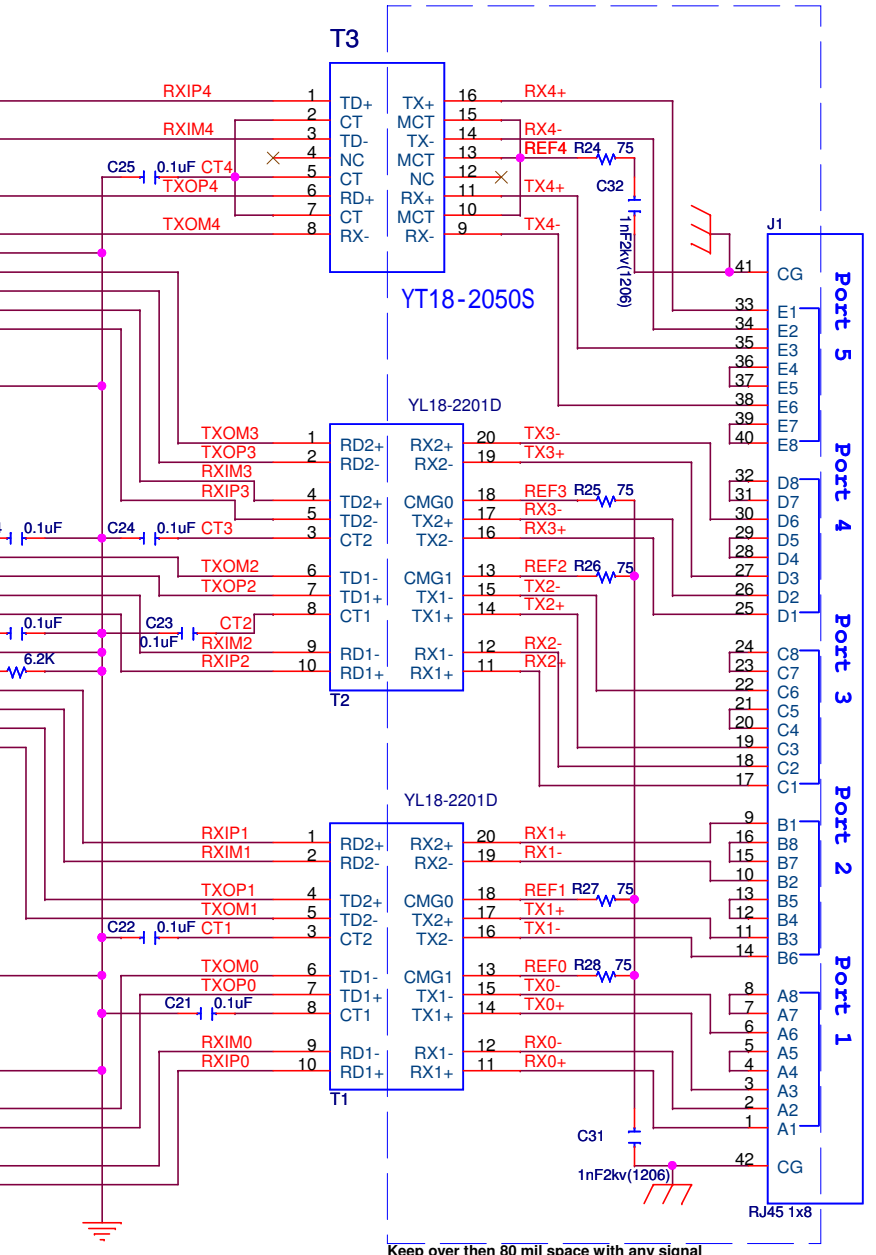
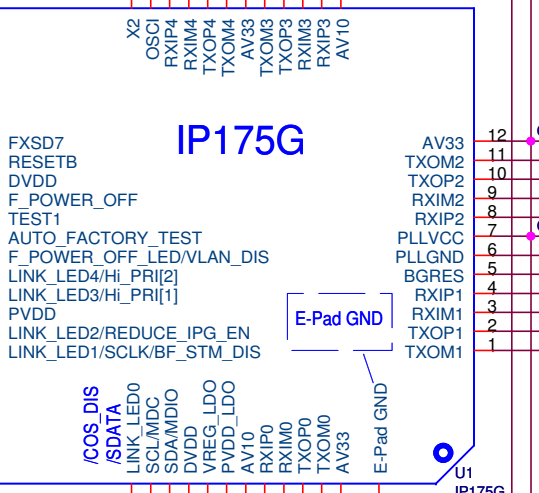
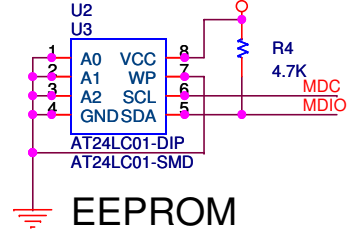
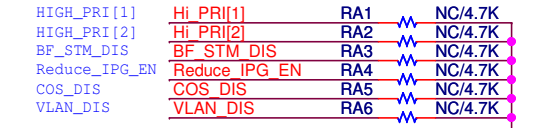
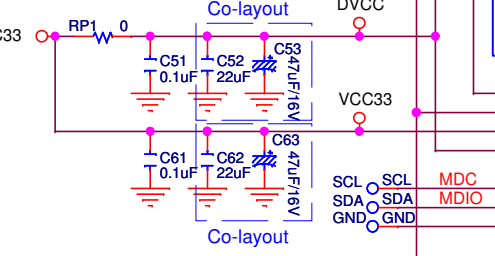
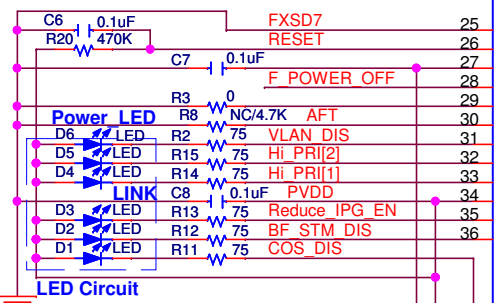
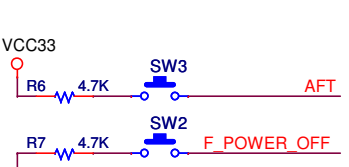
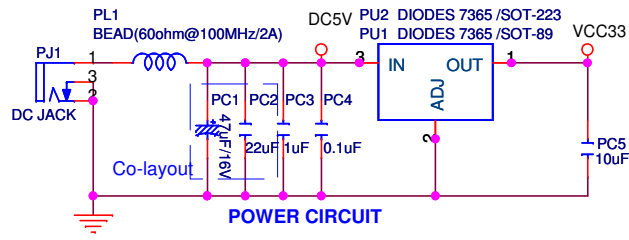
Wednesday, July 04, 2012

Sheet

1

of

3



Keep over then 80 mil space with any signal and power or grung for ESD issue

IC+ IC plus corp.		
Title <b>IP175G Demo Board_Block Diagram</b>		
Size	Document Number <b>IP175G_D2V</b>	Rev 1.0
Date:	Sheet 2 of 2	