


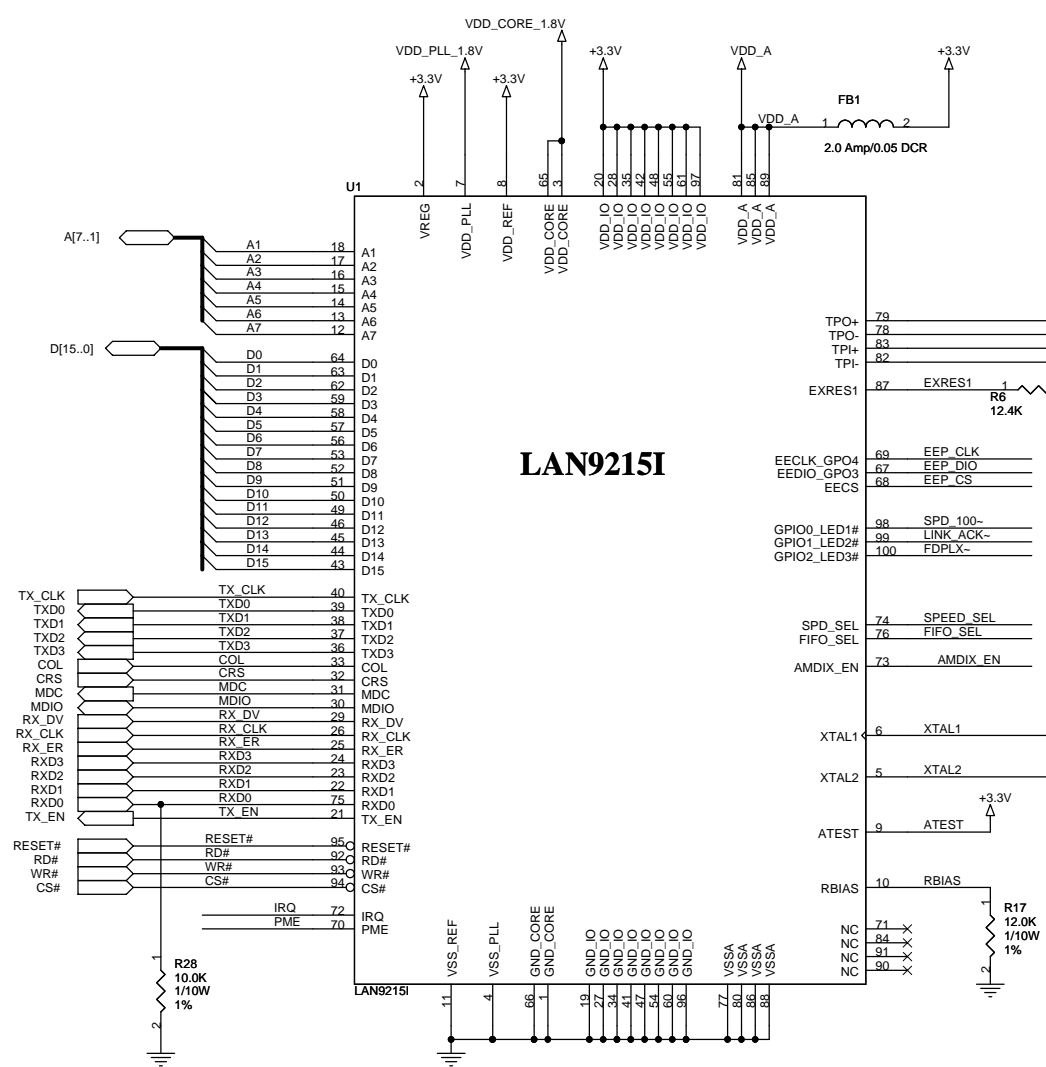
LAN9215I Reference Schematic

Schematic Revision 0.5

ITEM	Page
Title Page	1
LAN9215I Reference Schematic	2

Circuit diagrams utilizing SMSC products are included as a means of illustrating typical semiconductor applications; consequently complete information sufficient for construction purposes is not necessarily given. The information has been carefully checked and is believed to be entirely reliable. However, no responsibility is assumed for inaccuracies. Furthermore, such information does not convey to the purchaser of the semiconductor devices described any license under the patent rights of SMSC or others. SMSC reserves the right to make changes at any time in order to improve design and supply the best product possible.

			
Title LAN9215I Reference Schematic			
Size C	Engineer N/A	Assembly No. N/A	Rev 0.5
Date: Tuesday, July 10, 2007		Sheet 1 of 2	

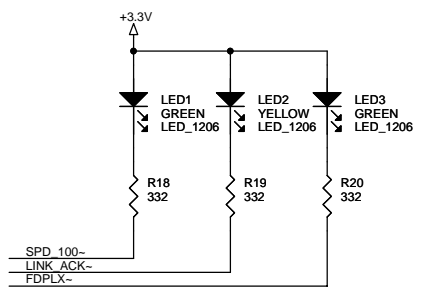


LAN9215I

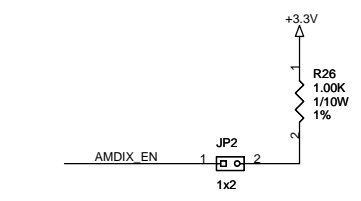
Reference Transformer Part No. list
 YL18-2050SE
 YuTai Electronics Co.,LTD
 TEL:86-574-63620701,63621610
 http://www.yutai-elec.com
 EMAIL: nice_yu@yeah.net

NOTE:
 25MHz Crystal Part Number is TBD.

NOTE:
 FIFO_SEL can be driven dynamically and is not pulled internally to either state. This pin has the same timing as the Address Bus and can be driven by upper address bits not used by the LAN9215I. Refer to datasheet.

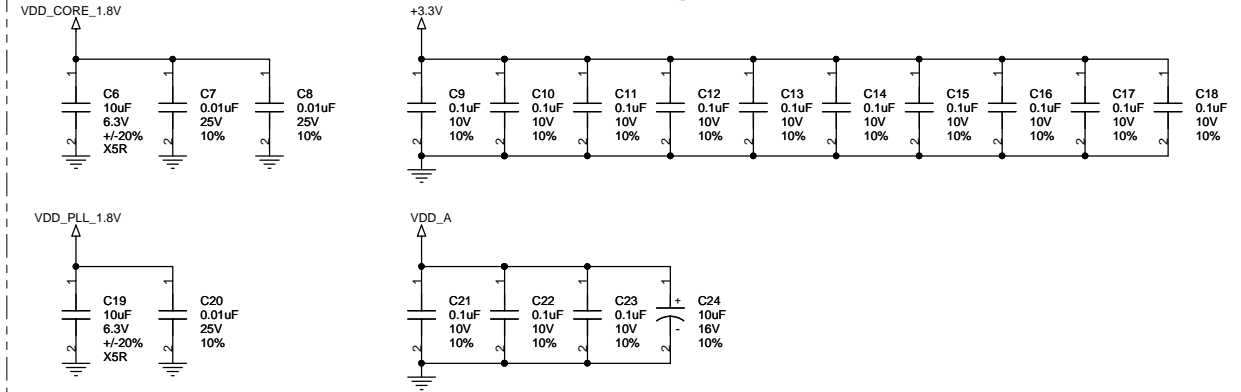


NOTE:
 IN = 10Mbps, Half-Duplex, Auto Neg. Disabled
 OUT = 100Mbps, Half-Duplex, Auto Neg. Enabled



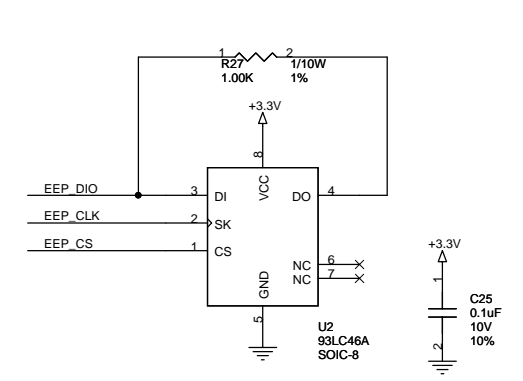
NOTE:
 IN = Auto-MDIX Functionality Enabled
 OUT = Auto-MDIX Functionality Disabled

LAN9215I Decoupling Capacitors



NOTE:
 C6 and C19 must be low ESR capacitors. Ceramic is recommended.

MAC EEPROM (Optional)



SMSC
 SUCCESS BY DESIGN

Title: **LAN9215I Reference Schematic**

Size	Engineer	Assembly No.	Rev
C	N/A	N/A	0.5

Date: Tuesday, July 10, 2007 Sheet 2 of 2