


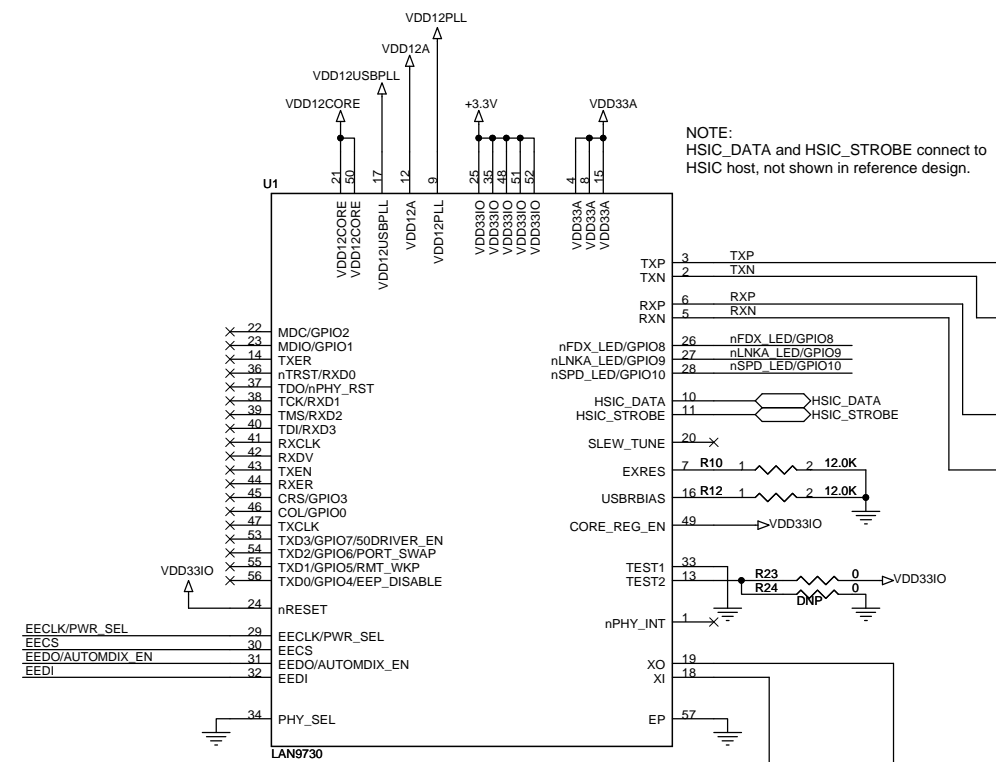
# LAN9730 Reference Design

Schematic Revision 0.7

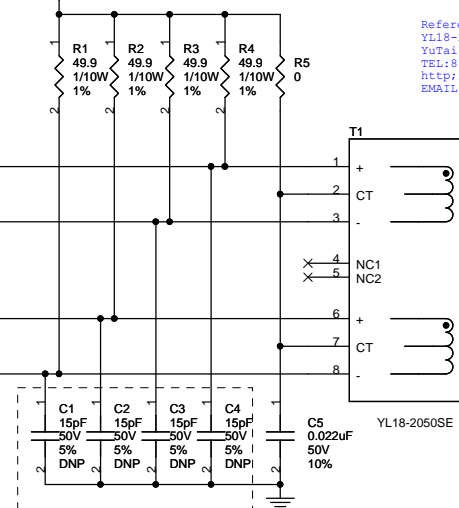
Circuit Diagrams utilizing SMSC Products Are Included As A Means Of Illustrating Typical Semiconductor Applications: Consequently Complete Information Sufficient For Construction Purposes Is Not Necessarily Given. The Information Has Been Carefully Checked And Is Believed To Be Entirely Reliable. However, No Responsibility Is Assumed For Inaccuracies. Furthermore, Such Information Does Not Convey To The Purchaser Of The Semiconductor Devices Described Any License Under The Patent Rights Of SMSC Or Others. SMSC Reserves The Right To Make Changes At Any Time In Order To Improve Design And Supply The Best Product Possible.

ITEM	Page
Title Page	1
LAN9730, Ethernet, Misc.	2

				
Title Page				
Size	Engineer	Assembly No.	PCB Rev	Schematic Rev
C	R.W.	LAN9730	A	0.7
Date: Tuesday, June 14, 2011			Sheet 1 of 2	

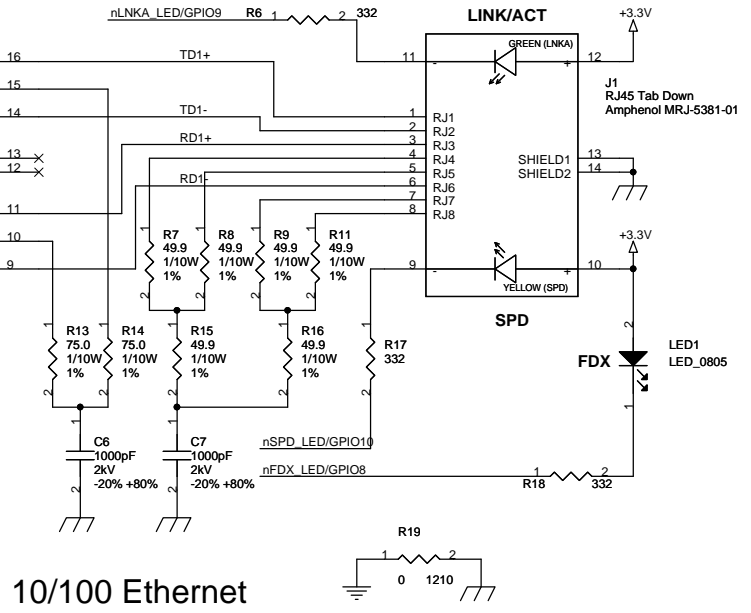


NOTE:  
Place R1-R4 near LAN9730.  
Place R5 and C5 near transformer.

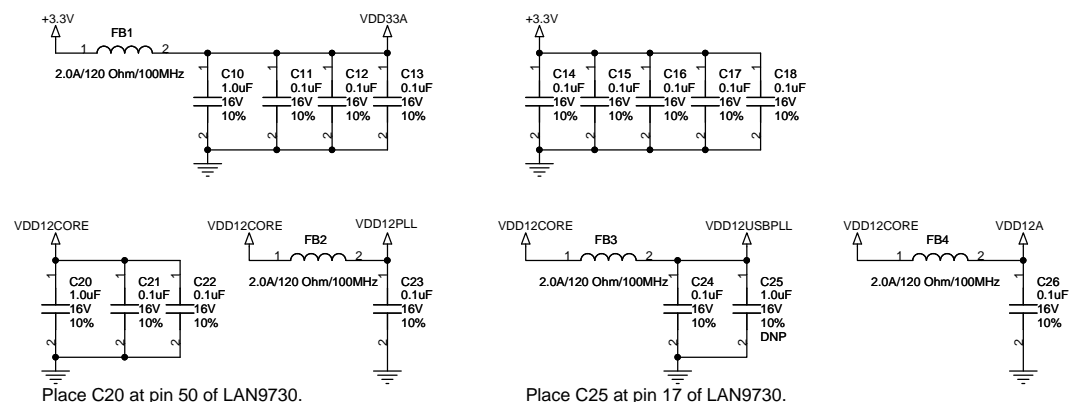


Reference Transformer Part No. list  
YL18-2050SE  
YuTai Electronics Co.,LTD  
TEL:86-574-63620701,63621610  
http://www.yutai-elec.com  
EMAIL: nico\_yu@yeah.net

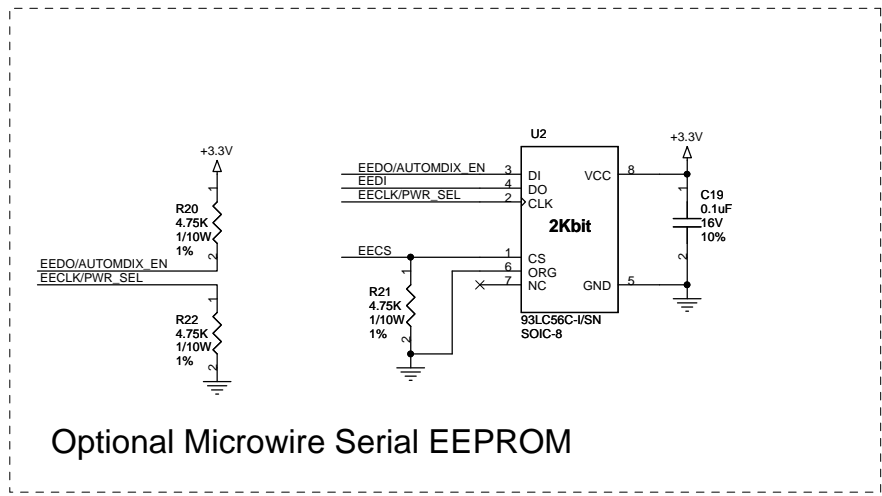
NOTE:  
In an EMI constrained environment,  
populate these capacitors. These components  
must be placed close to the transformer



10/100 Ethernet



Bypass and Filtering



Optional Microwire Serial EEPROM

Title: LAN9730				
Size	Engineer	Assembly No.	PCB Rev	Schematic Rev
	R.W.	LAN9730	A	0.7
Date: Tuesday, October 11, 2011				
				Sheet 2 of 2