


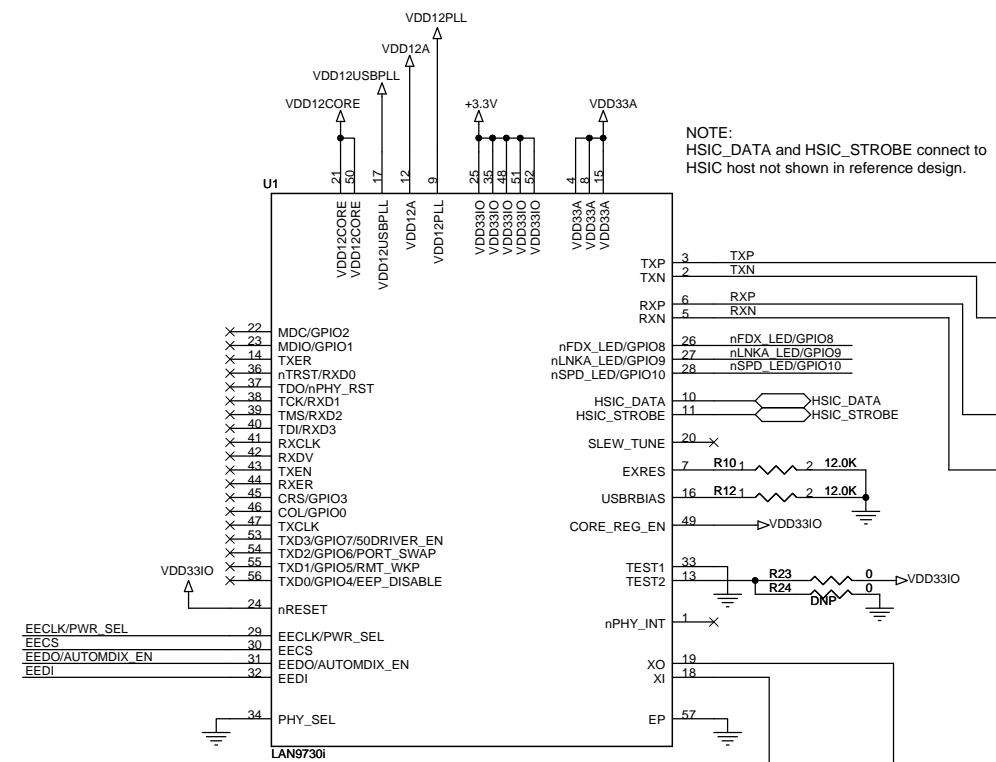
# LAN9730i Reference Design

Schematic Revision 0.7

Circuit Diagrams utilizing SMSC Products Are Included As A Means Of Illustrating Typical Semiconductor Applications: Consequently Complete Information Sufficient For Construction Purposes Is Not Necessarily Given. The Information Has Been Carefully Checked And Is Believed To Be Entirely Reliable. However, No Responsibility Is Assumed For Inaccuracies. Furthermore, Such Information Does Not Convey To The Purchaser Of The Semiconductor Devices Described Any License Under The Patent Rights Of SMSC Or Others. SMSC Reserves The Right To Make Changes At Any Time In Order To Improve Design And Supply The Best Product Possible.

ITEM	Page
Title Page	1
LAN9730i, Ethernet, Misc.	2

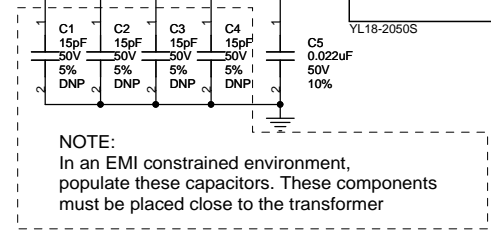
				
Title Page				
Size	Engineer	Assembly No.	PCB Rev	Schematic Rev
C	R.W.	LAN9730i	A	0.7
Date: Tuesday, October 11, 2011			Sheet 1 of 2	



NOTE:  
Place R1-R4 near LAN9730i.  
Place R5 and C5 near transformer.

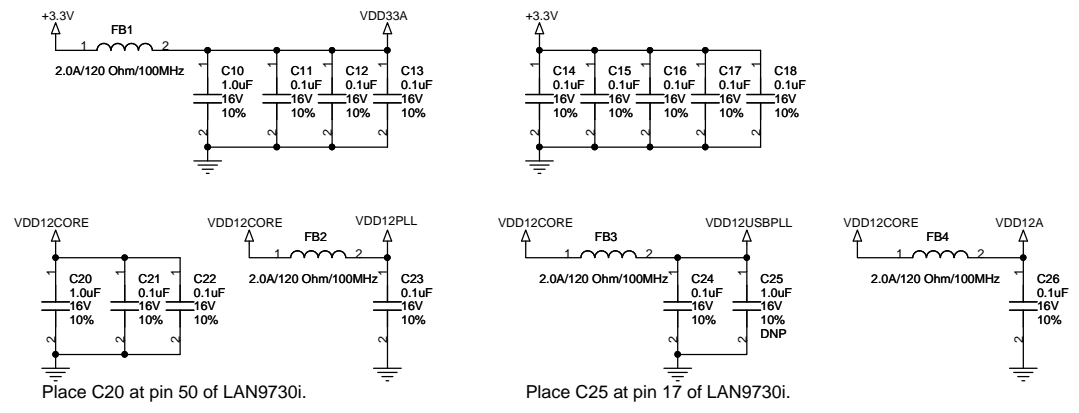
Reference Transformer Part No. list  
YL18-2050S  
YuTai Electronics Co.,LTD  
TEL:86-574-63620701,63621610  
http://www.yutai-elec.com  
EMAIL: nico\_yu@yeah.net

NOTE:  
HSIC\_DATA and HSIC\_STROBE connect to  
HSIC host not shown in reference design.



NOTE:  
In an EMI constrained environment,  
populate these capacitors. These components  
must be placed close to the transformer

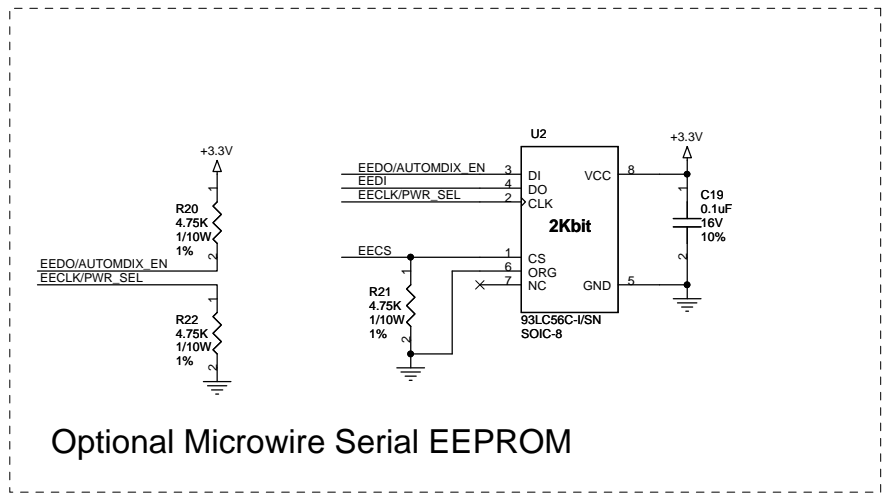
10/100 Ethernet



Bypass and Filtering

Place C20 at pin 50 of LAN9730i.

Place C25 at pin 17 of LAN9730i.



Optional Microwire Serial EEPROM

<b>SMSC</b> SUCCESS BY DESIGN				
Title: LAN9730i				
Size	Engineer	Assembly No.	PCB Rev	Schematic Rev
	R.W.	LAN9730i	A	0.7
Date: Tuesday, October 11, 2011				
			Sheet	2 of 2