

# LAN8742 RMII PHY Customer Evaluation Board

Assy 6696

PCB Revision A

Schematic Revision 1.1

## Design Details

Board:

Assy 6696

Chip:

SMSC LAN8742

Board Form Factor:

MII

Assembly:

24 Lead QFN w/ Exposed GND Pad

Circuit Diagrams utilizing SMSC Products Are Included As A Means Of Illustrating Typical Semiconductor Applications: Consequently Complete Information Sufficient For Construction Purposes Is Not Necessarily Given. The Information Has Been Carefully Checked And Is Believed To Be Entirely Reliable. However, No Responsibility Is Assumed For Inaccuracies. Furthermore, Such Information Does Not Convey To The Purchaser Of The Semiconductor Devices Described Any License Under The Patent Rights Of SMSC Or Others. SMSC Reserves The Right To Make Changes At Any Time In Order To Improve Design And Supply The Best Product Possible.

### Revision History

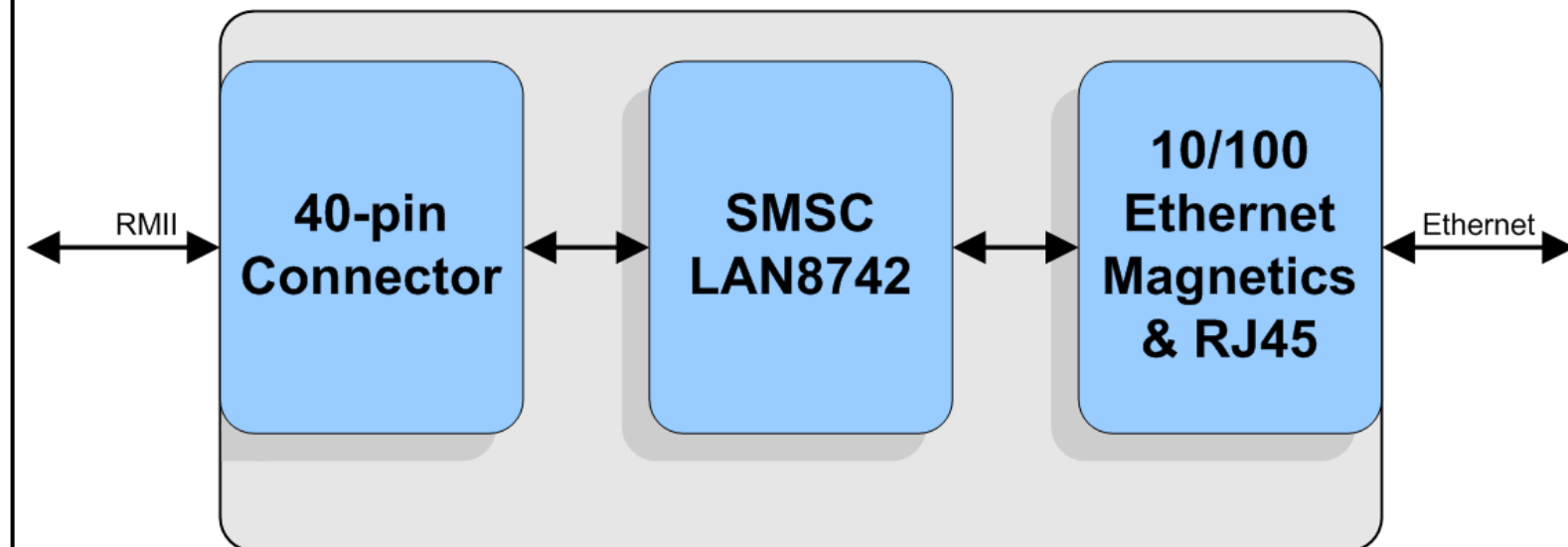
**Rev 1.0:**

Initial release

**Rev 1.1:**

Page 2: Added R40 & R41 in rework  
R20 changed to 0 Ohm

### BLOCK DIAGRAM

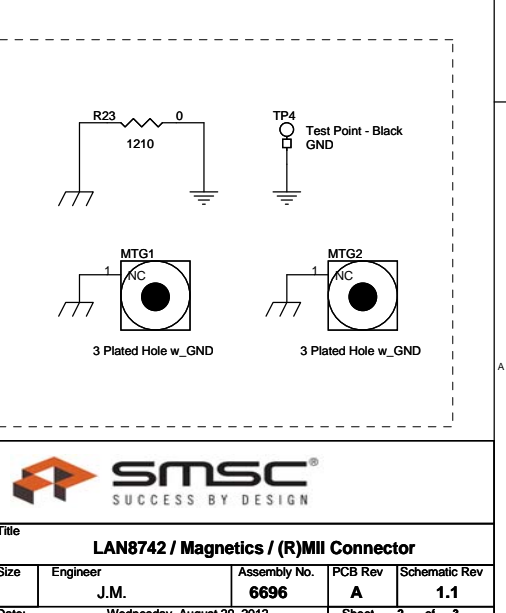
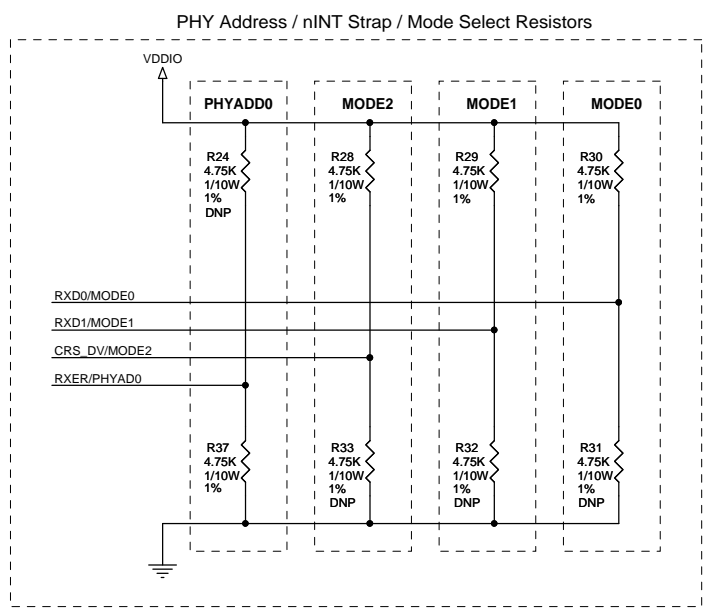
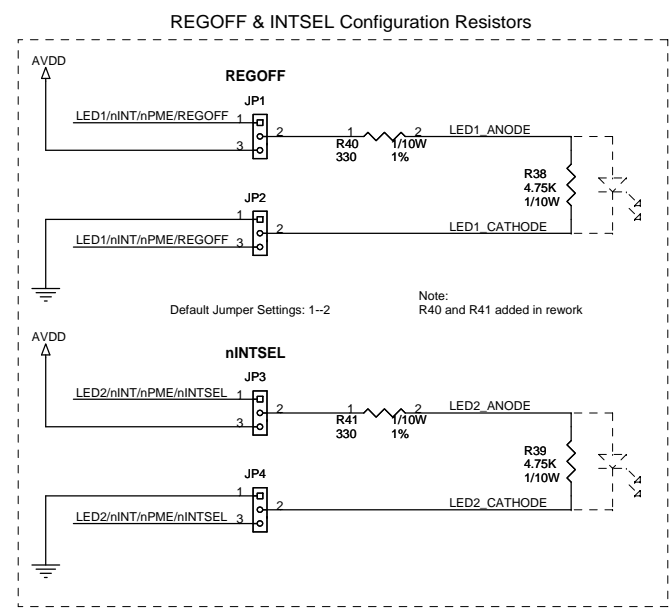
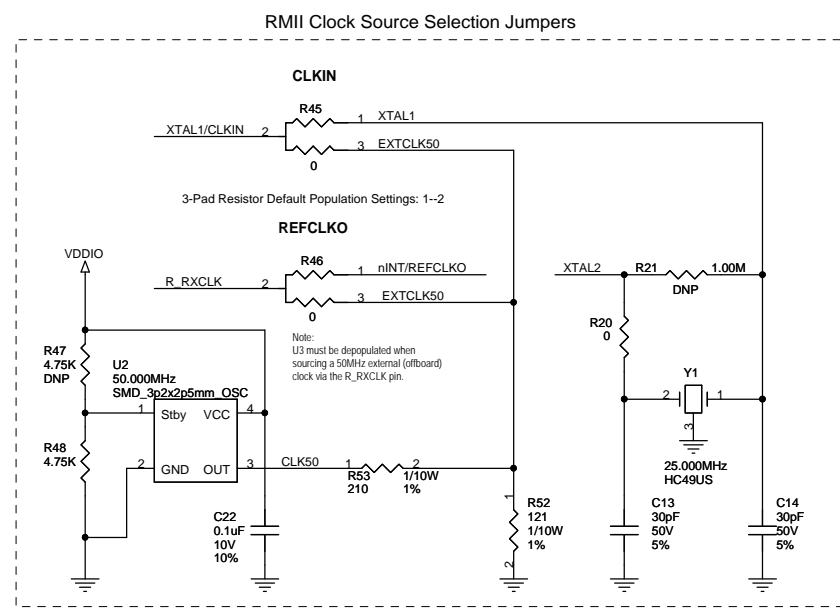
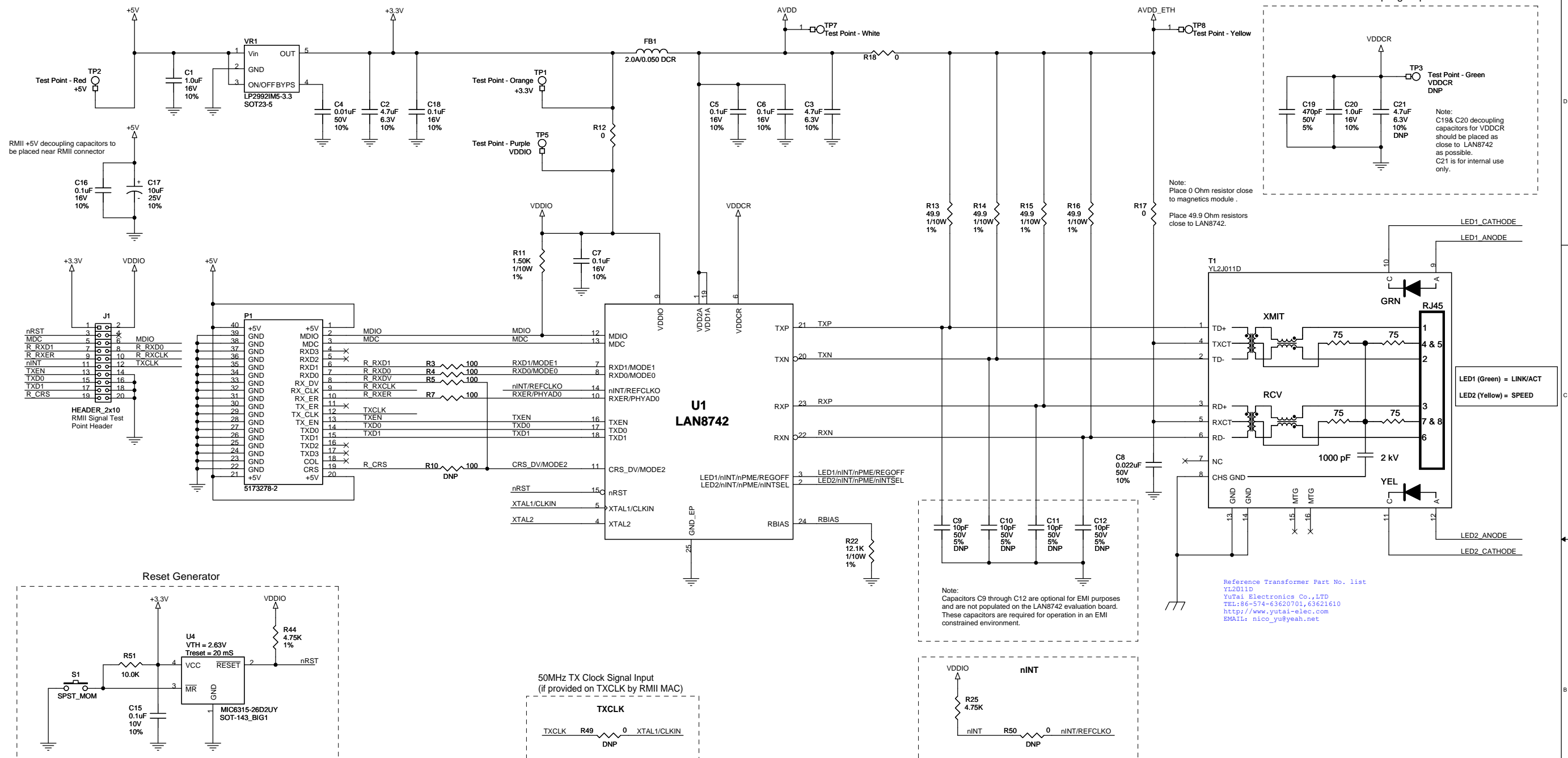


ITEM	Page(s)
Title Page	1
LAN8742 / RMII / Magnetics	2
Configuration Settings	3



Title <b>LAN8742 RMII PHY Customer Evaluation Board</b>				
Size	Engineer	Assembly No.	PCB Rev	Schematic Rev
	J.M.	6696	A	1.1
Date:	Wednesday, August 29, 2012		Sheet	1 of 3

# LAN8742 / Magnetics / RMII Connector



Title: LAN8742 / Magnetics / (R)MII Connector				
Size	Engineer	Assembly No.	PCB Rev	Schematic Rev
	J.M.	6696	A	1.1
Date:	Wednesday, August 29, 2012			Sheet 2 of 3