

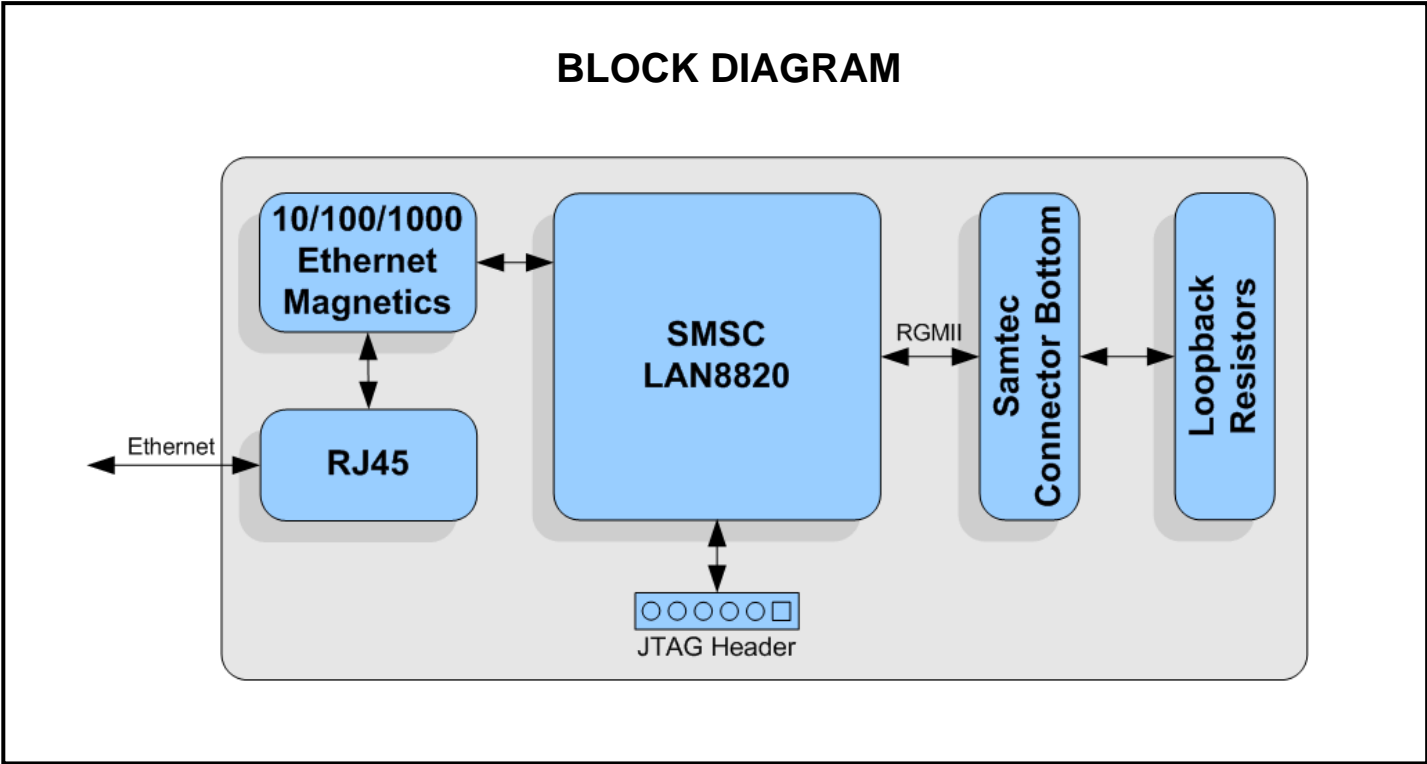
# LAN8820 C/EVB

PCB Revision B  
Schematic Revision 1.04

## Design Details

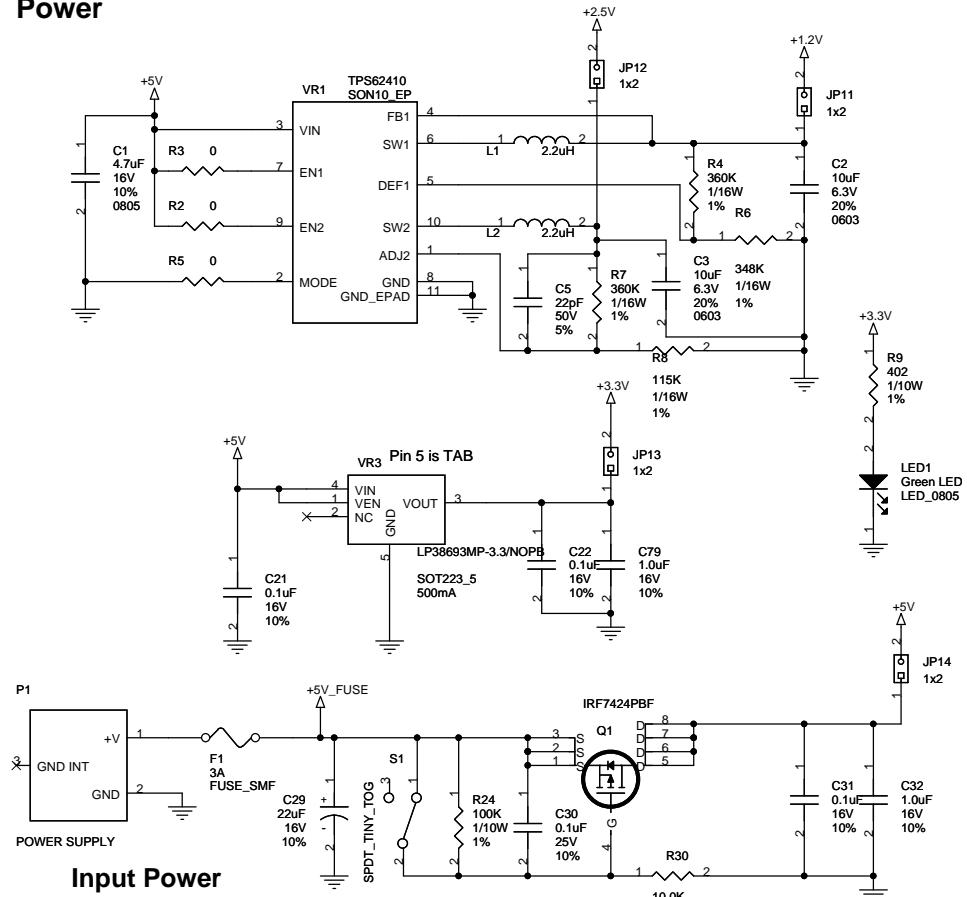
**Board:** Assembly Number 6591  
**Chip:** 56 Pin QFN  
**Board Form Factor:** 3.5"x4"

Circuit Diagrams utilizing SMSC Products Are Included As A Means Of Illustrating Typical Semiconductor Applications: Consequently Complete Information Sufficient For Construction Purposes Is Not Necessarily Given. The Information Has Been Carefully Checked And Is Believed To Be Entirely Reliable. However, No Responsibility Is Assumed For Inaccuracies. Furthermore, Such Information Does Not Convey To The Purchaser Of The Semiconductor Devices Described Any License Under The Patent Rights Of SMSC Or Others. SMSC Reserves The Right To Make Changes At Any Time In Order To Improve Design And Supply The Best Product Possible.

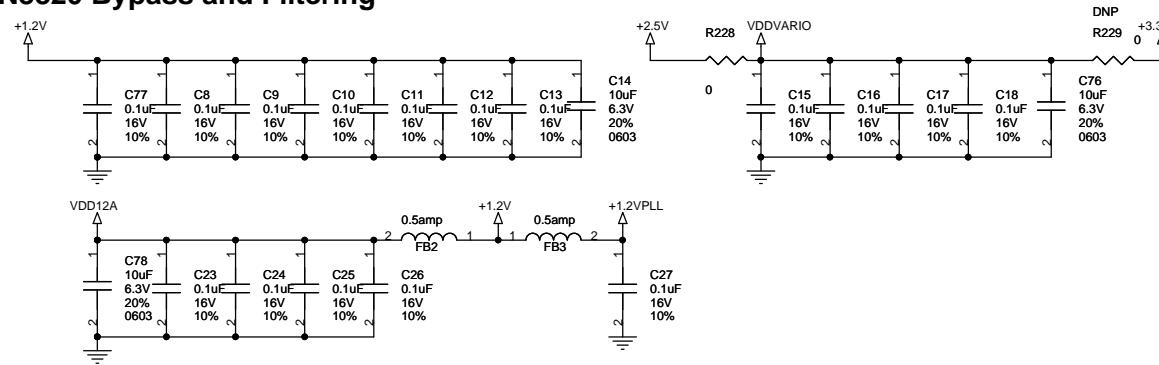


ITEM	Page
Title Page	1
Power and Misc.	2
LAN8800	3
Ethernet, Samtec, SMI	4

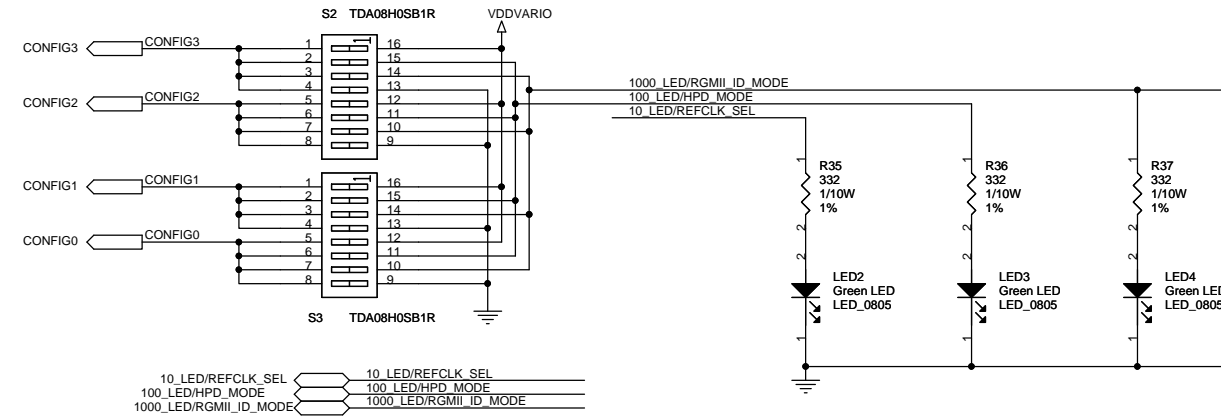
### Power



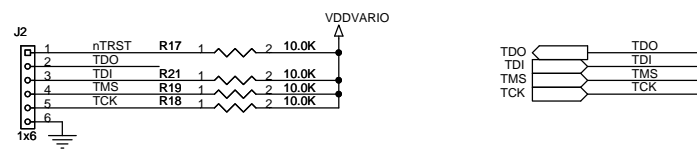
### LAN8820 Bypass and Filtering



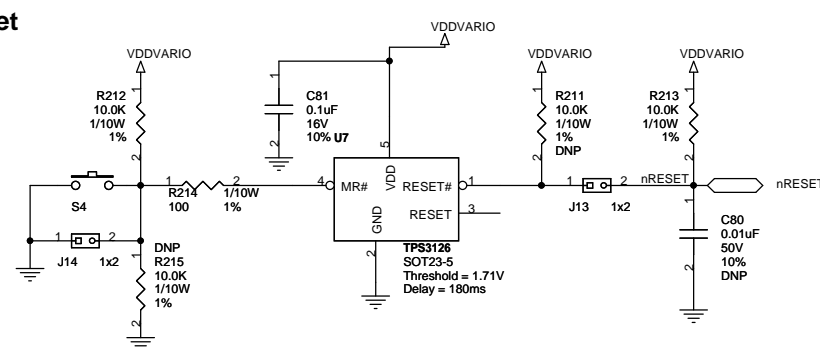
### LED's and Configuration



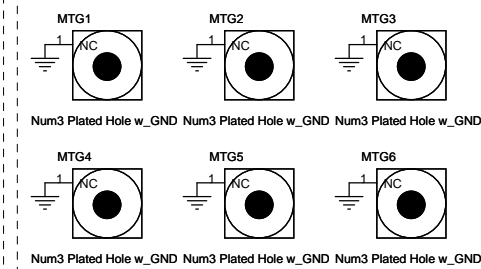
### JTAG



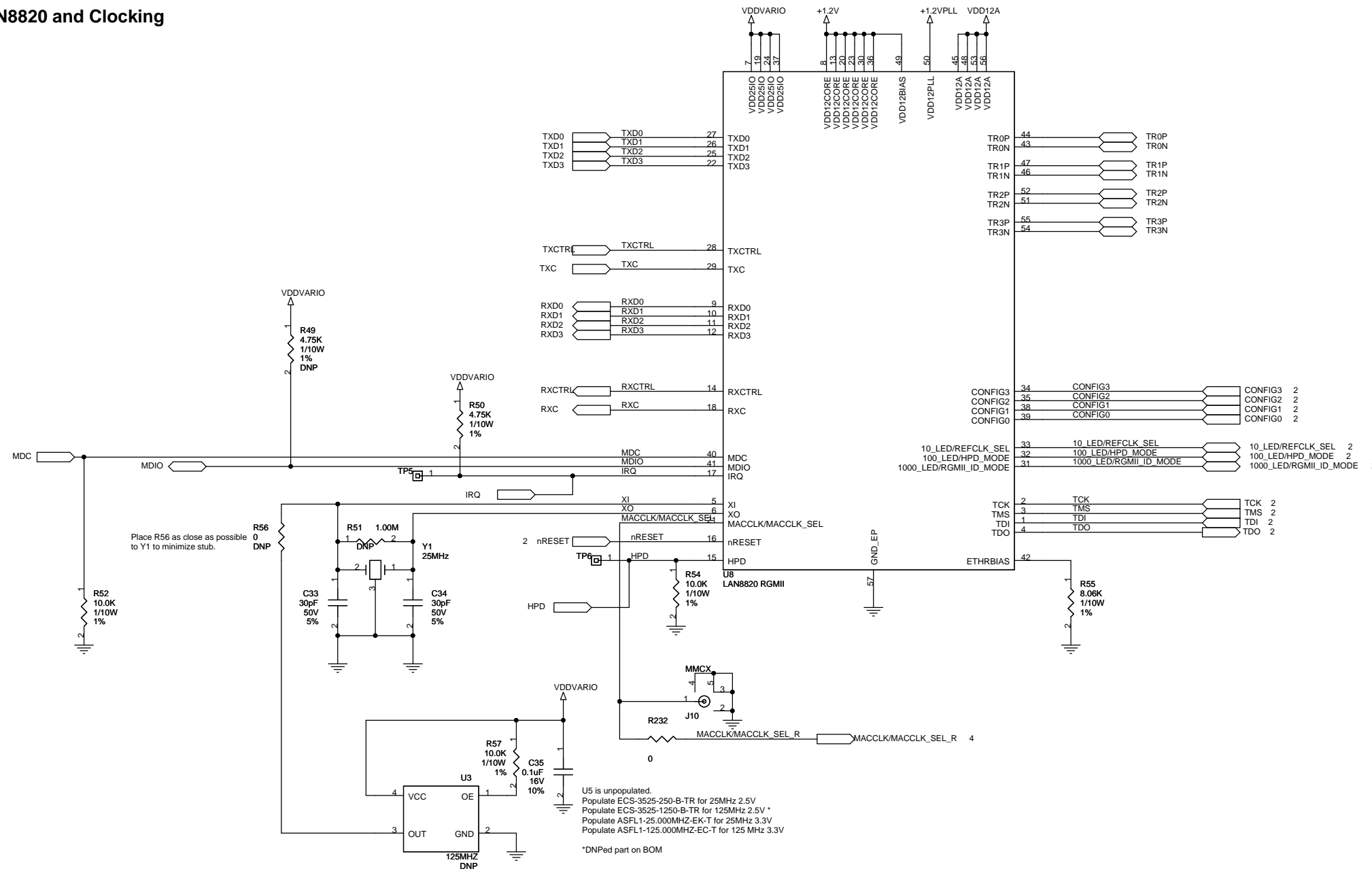
### Reset



### Mounting Holes

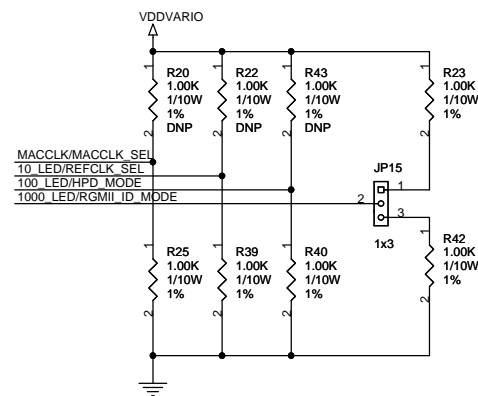


## LAN8820 and Clocking

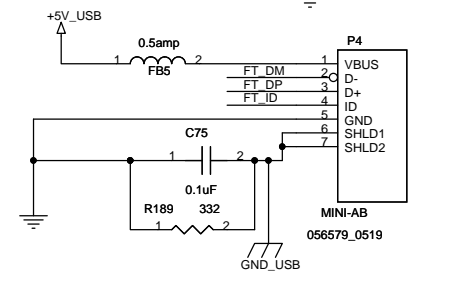
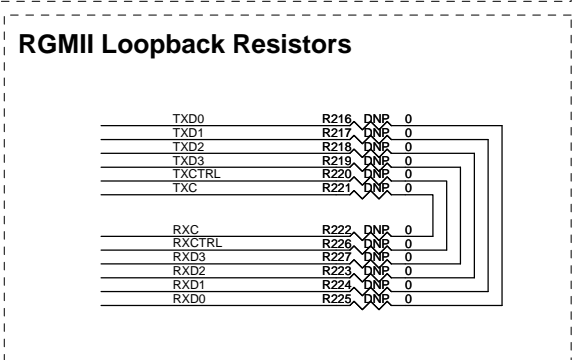
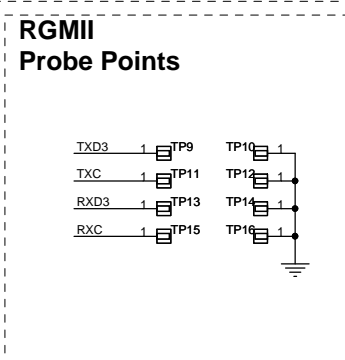
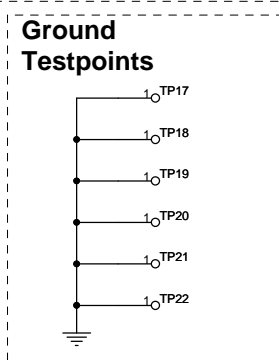
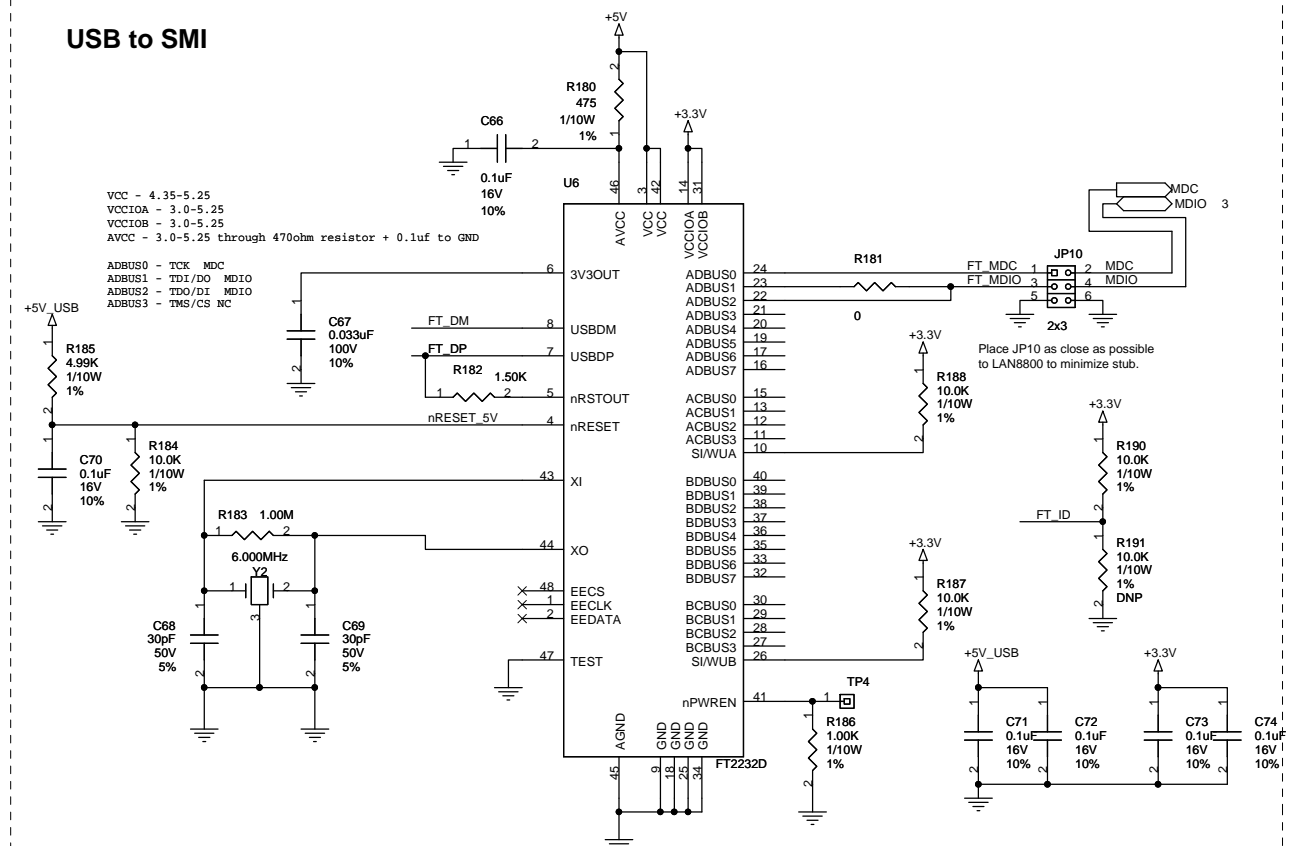
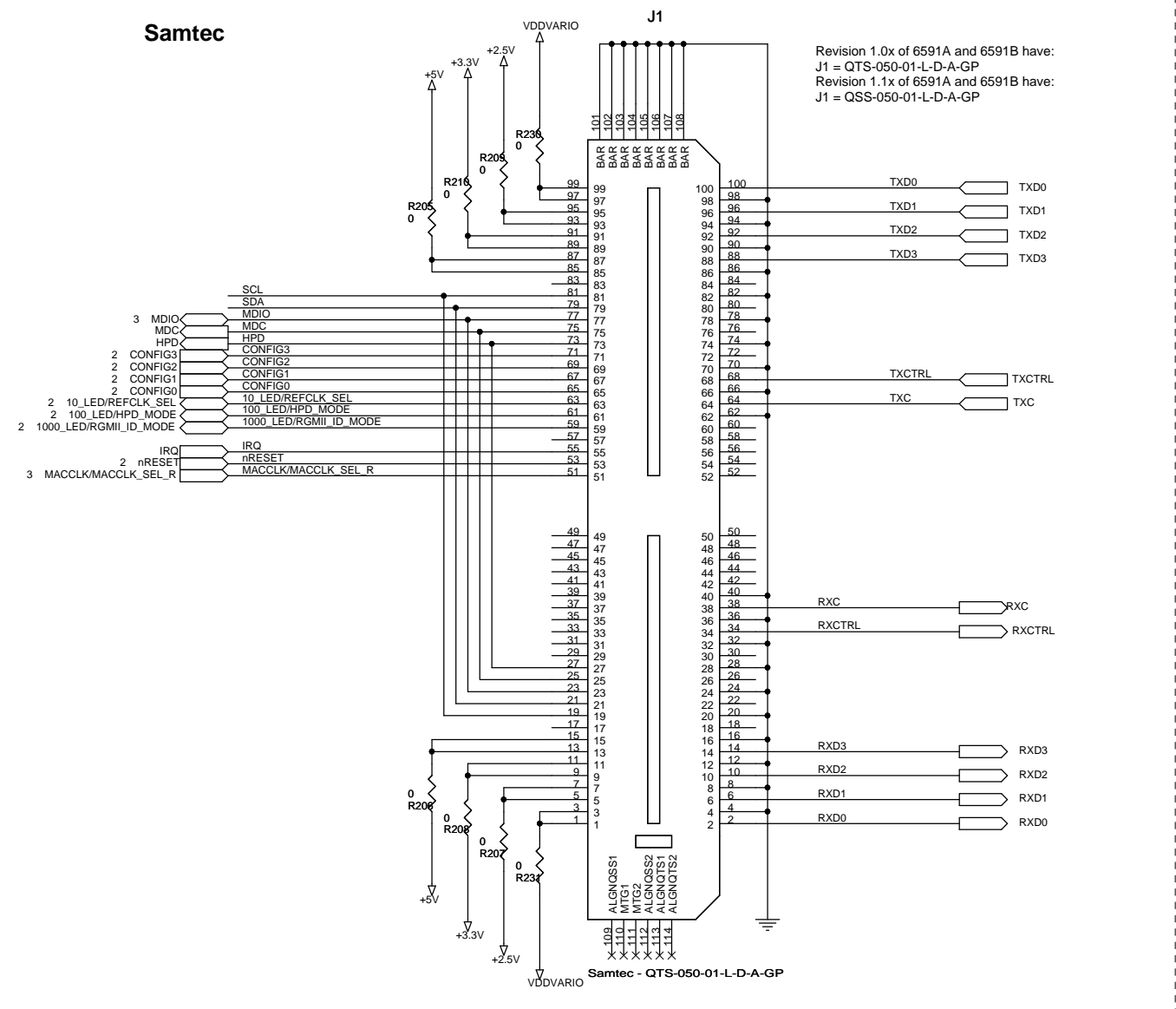
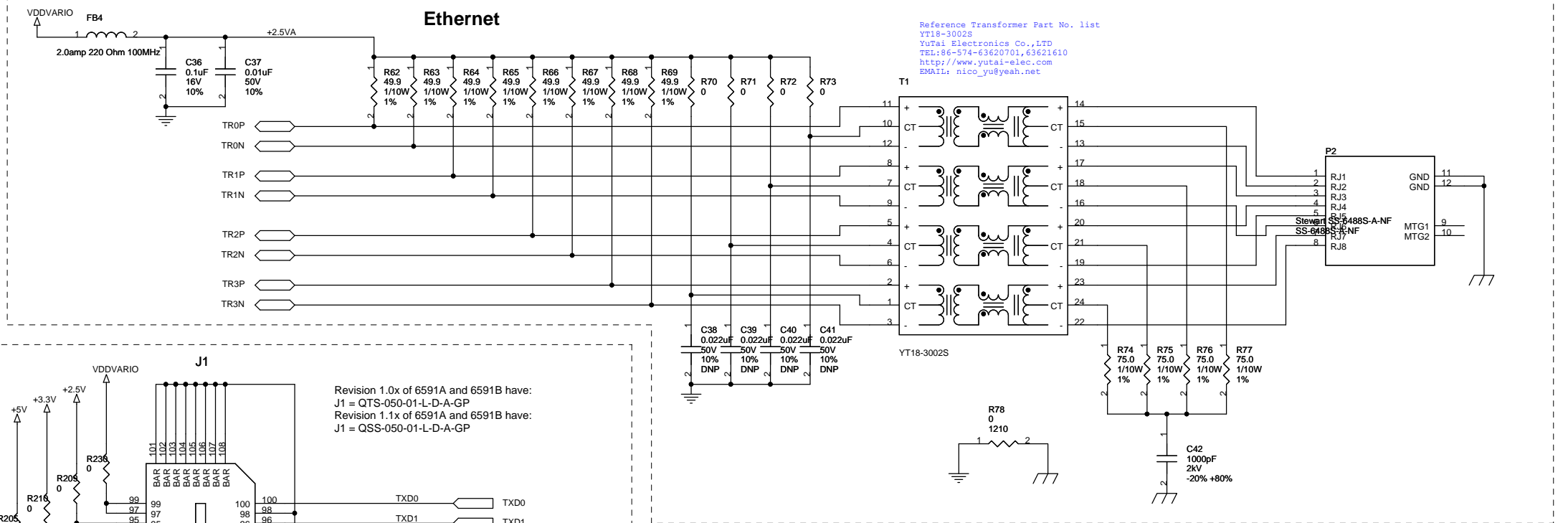


## Straps

STRAP	Pulled up	Pulled down default
MACCLK_SEL	MACCLK= 25MHz	MACCLK= 125MHz
REFCLK_SEL	XI = 125MHz	XI = 25MHz
HPD_MODE	PLL not shutoff during HPD	PLL shutoff during HPD
RGMIID_ID_MODE	RGMIID internal delay enabled.	RGMIID internal delay disabled.



Title				
LAN8800				
Size	Engineer	Assembly No.	PCB Rev	Schematic Rev
C	R.W.	6591	B	1.04
Date:	Sunday, December 09, 2012		Sheet	3 of 4



**SMSC**  
SUCCESS BY DESIGN

Title: **Ethernet, Samtec, SMI**

Size	Engineer	Assembly No.	PCB Rev	Schematic Rev
C	R.W.	6591	B	1.04

Date: Sunday, December 09, 2012 Sheet 4 of 4