

# 10/100BASE-T Integrated Connector Modules

## Features:

- 1x1 Port Tab-UP RJ45 Connector with magnetic Module and LED for 10/100Base-TX
- Complies with IEEE standards and all 10/100 Ethernet specifications including 350uH min with 8mA DC bias
- Operating temperature 0°C to 70°C
- Minimum interwinding breakdown voltage of 1500Vrms

## Electrical Specifications @ 25°C

Isolation: 1500Vrms(UTP Side to Chip Side)

OCL: 350uH Minimum @ 100KHz 100mV with 8mA DC

Insertion Loss : 1MHz-100MHz: -1.0dB max

Return Loss: 1MHz-30MHz: -16dB min

30MHz-60MHz: -12dB min

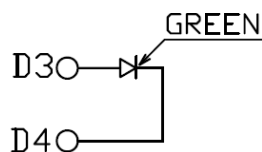
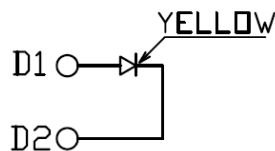
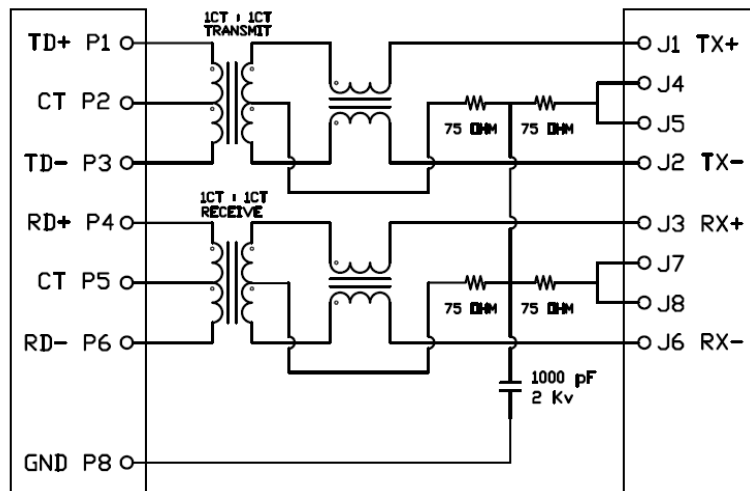
60MHz-80MHz: -10dB min

Common to Common Mode Rejection : 1MHz-100MHz : -30dB min

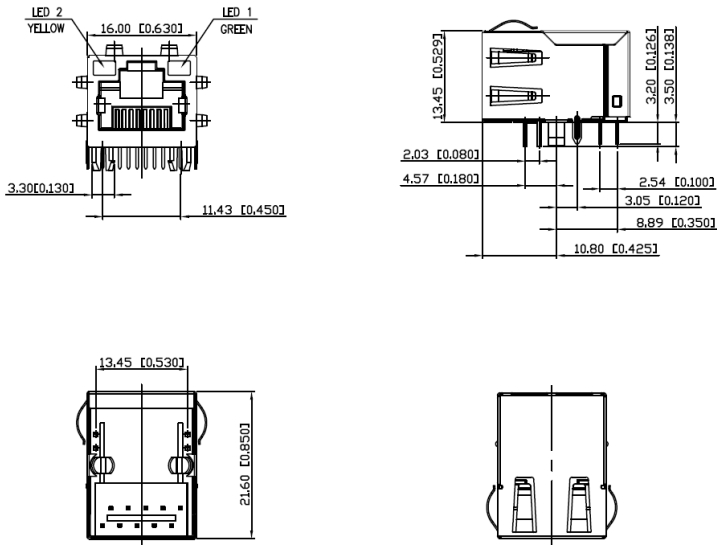
Crosstalk: 1MHz-100MHz : -30dB min

## Schematics:

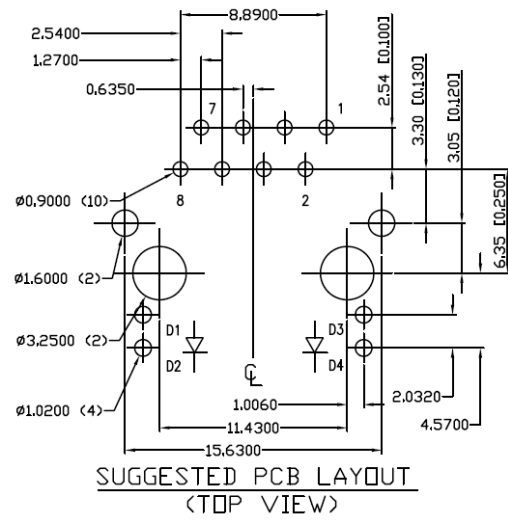
### YL2J019D:



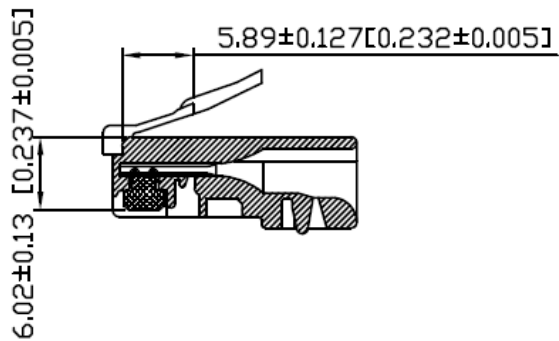
## Mechanical



## PCB LAYOUT



## RECOMMENED PLUG DIMENSION:



NOTE: Dimensions: mm unless otherwise specified all tolerances are  $\pm 0.25(0.010)$