

# 10/100BASE-T Integrated Connector Modules

Part Number: YL2J521B

## Features:

- Dual port RJ-45 connector with integrated 10/100 magnetics
- Complies with IEEE standards and all 10/100 Ethernet specifications including 350uH min with 8mA DC bias
- Operating temperature -40°C to 85°C
- Minimum interwinding breakdown voltage of 1500Vrms

## Electrical Specifications @ 25°C

Isolation: 1500Vrms (UTP Side to Chip Side)

OCL: 350uH Minimum @ 100KHz 100mV with 8mA DC

Insertion Loss: 100KHz-100MHz: -1.1dB max

Return Loss: 1MHz-30MHz: -18dB min

30MHz-60MHz: -15dB min

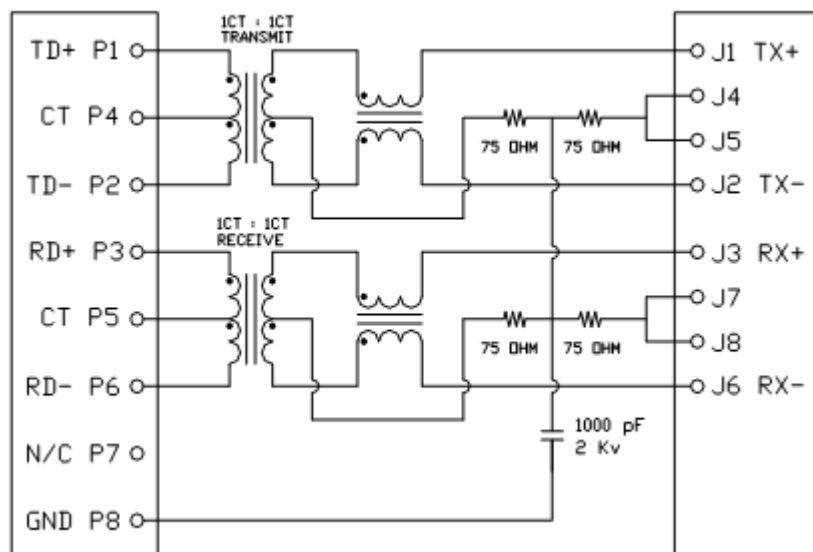
60MHz-80MHz: -12dB min

Common to Differential Mode Rejection: 100KHz-100MHz: -40dB min

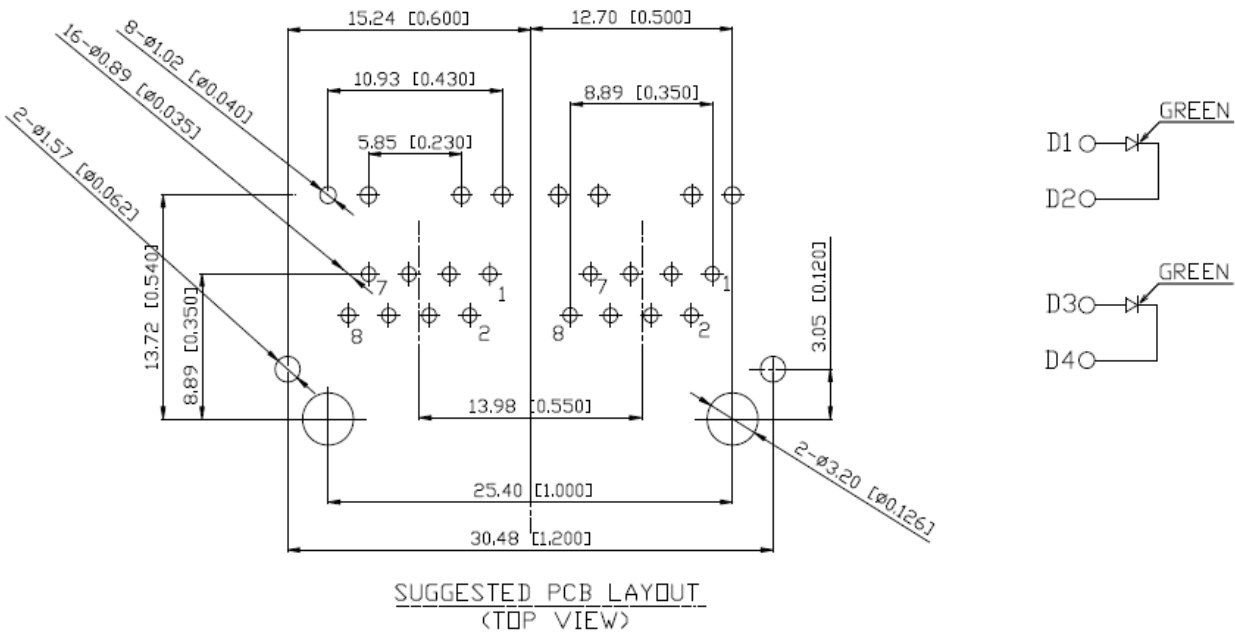
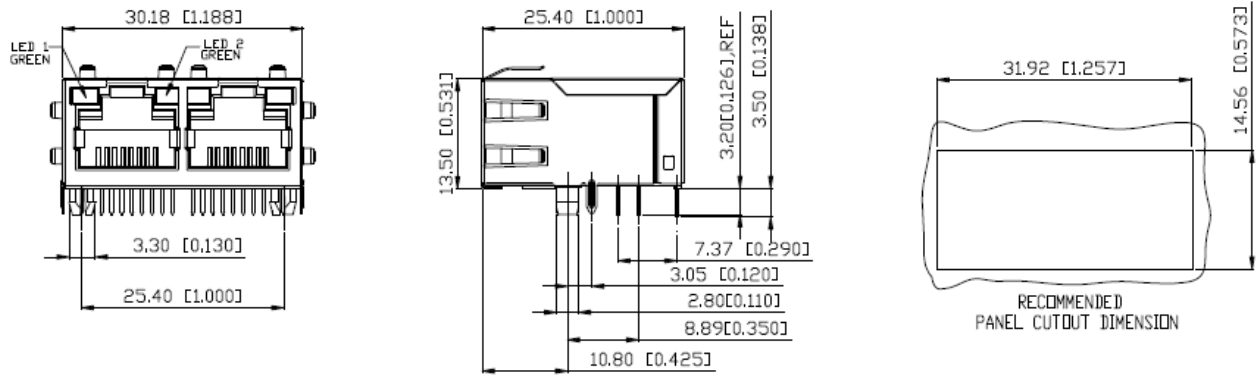
Common to Common Mode Rejection: 100KHz-100MHz: -30dB min

Crosstalk: 100KHz-100MHz: -35dB min

## Schematics:



# Mechanical



**NOTE:Dimensions:mm unless otherwise specified all tolerances are  $\pm 0.25$ mm**